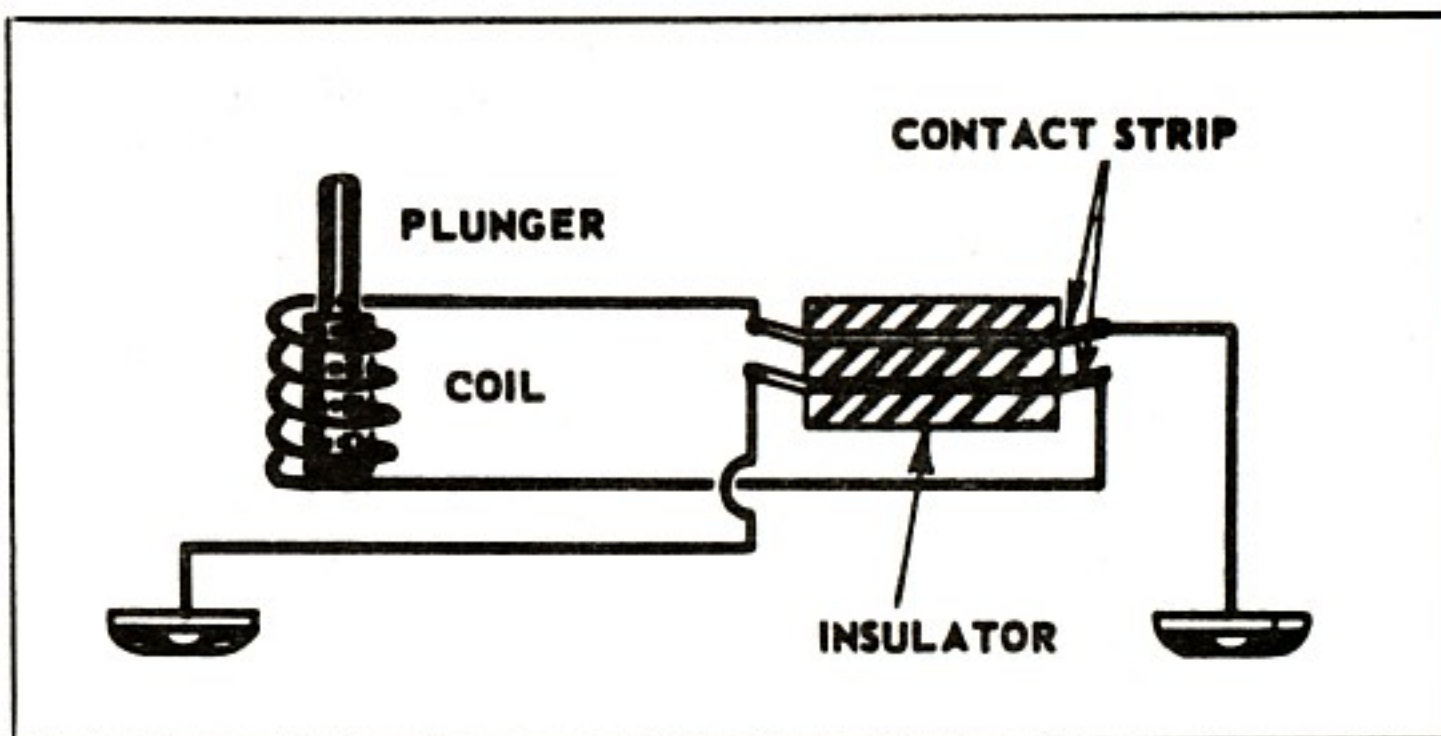


LIONEL SERVICE MANUAL

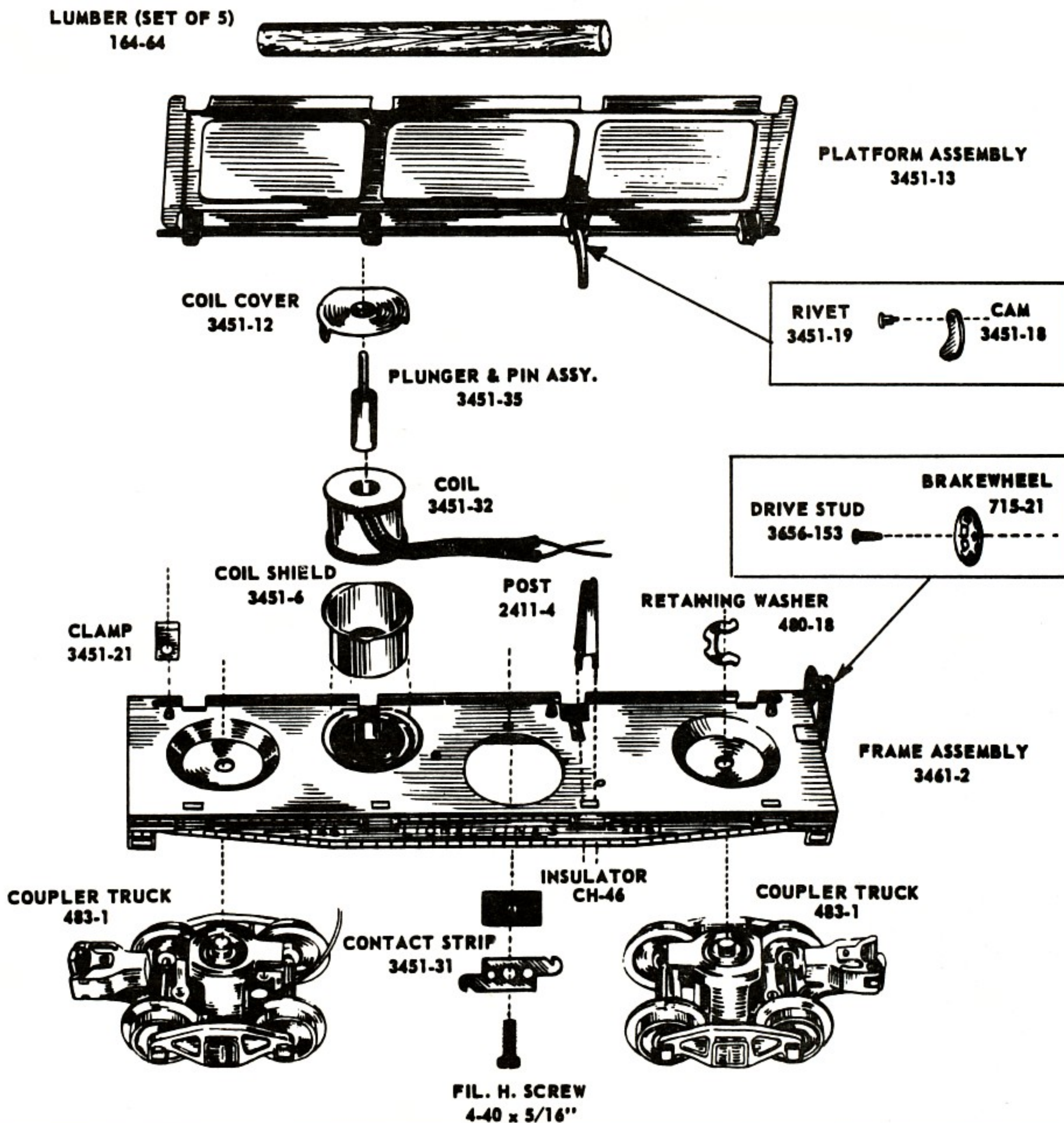
NO. 3461 OPERATING LUMBER CAR

No. 3461 Lumber Car is operated by a solenoid-and-plunger which are energized through a pair of sliding shoes on the car's trucks. When the coil is energized the motion of the plunger lifts up the car's hinged floor platform while the lumber retaining stakes on the hinged side of the car swing down through their own weight to allow the lumber to roll down. When the car floor drops back to normal position the stakes are lifted upright through a cam arrangement.

No. 3461 Lumber Car, first made in 1948, is similar to the earlier No. 3451 Car which was equipped with the electromagnetic NTC-1 coupler trucks.



Wiring Diagram of No. 3461 Lumber Car



LIONEL SERVICE MANUAL

REPLACEMENT PARTS FOR NO. 3461 LUMBER CAR

Part No.	Part Name	List Price
160-1	Bin	.50
164-64	Luniber (Set of 5)	.25
480-18	Retaining Washer (Alt. for TS-70)	.02
483-1	Coupler Truck	1.50
715-21	Brakewheel	.10
2411-4	Post	.10
3451-6	Coil Shield	.10
3451-12	Coil Cover	.10
3451-13	Platform Assembly	1.00
3451-18	Cam	.10
3451-19	Rivet	.05
3451-21	Clamp	.02
3451-31	Contact Strip	.05
3451-32	Coil	.50
3451-35	Plunger & Pin Assembly	.20
3461-2	Frame Assembly	2.00
3656-153	Drive Stud	.05
CH-46	Insulator	.05
4-40 x 5/16"	Fil. H. Screw	.02

LIONEL SERVICE MANUAL

NOS. 3451 & 3461 - LUMBER CARS

<u>Part Number</u>	<u>Location</u>	<u>Unit Price</u>	<u>Min. Quan.</u>	<u>Description</u>
160-1	I-35	.75		Bin
164-64	I-96	.50		Lumber (set of 5)
480-18	G-52	.03	50	Retaining Washer
481-10	E-13	.75	6	Truck Bottom Frame W/Roller
715-21	L-41	.10	12	Brakewheel
2411-4	L-91	.10	6	Post
3451-6	L-74	.15	4	Coil Shield
3451-12	L-35	.15	4	Coil Cover
3451-22	D-41	2.50		Frame Assem.
3451-13	L-94	1.50		Platform Assem.
3451-18	L-35	.15	4	Cam
3451-19	L-35	.05	12	Cam Rivet
3451-21	L-35	.02	25	Clamp
3451-31	L-45	.05	12	Contact Strip
3451-32	L-45	.75		Coil
3451-35	L-45	.25		Plunger & Pin Assem.
3461-2	D-36	3.00		Frame Assem.
3656-153	M-48	.02	25	Brakewheel Stud
CH-46	N-84	.05	12	Insulator
PT-1	H-21	1.00		Basic Truck
4-40 x 5/16"		.02	25	FH Contact Strip Screw