

INSTALLATION AND OPERATION INSTRUCTIONS STEAM CLEAN AND WHEEL GRIND SHOP

PARTS LIST

MAKE SURE ALL PARTS FOR YOUR STATION ARE IN THE BOX BY CHECKING THIS PARTS LIST.

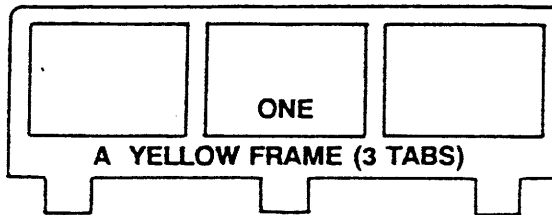
- 1 Instruction sheet
- 1 Warranty card
- 1 Service station list
- 10 Flints
- 3 Self tapped screws (see page 11)



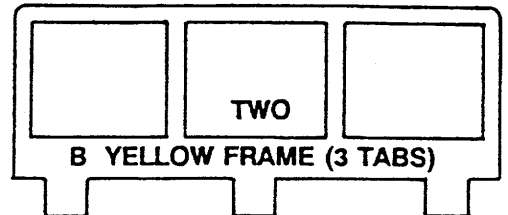
1 LONG LADDER



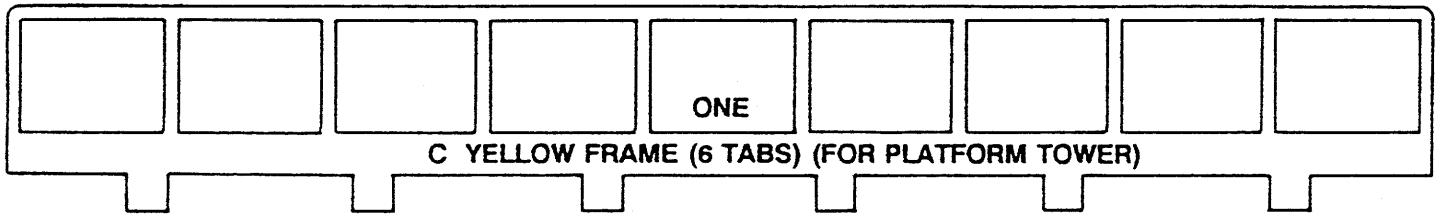
1 SHORT LADDER



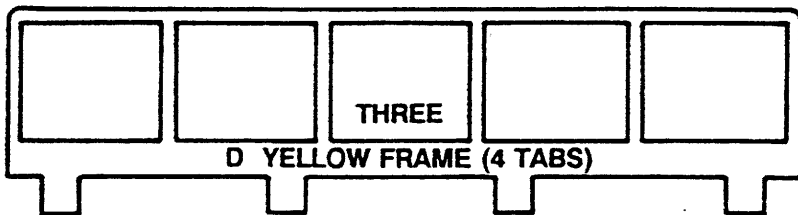
A YELLOW FRAME (3 TABS)



B YELLOW FRAME (3 TABS)



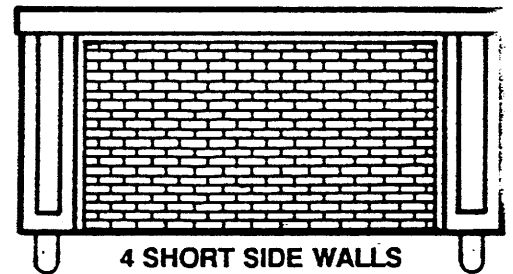
C YELLOW FRAME (6 TABS) (FOR PLATFORM TOWER)



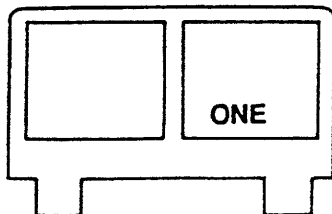
D YELLOW FRAME (4 TABS)



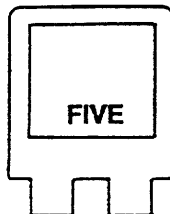
1 PUSH ROD



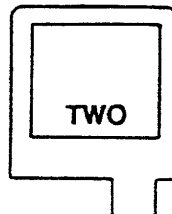
4 SHORT SIDE WALLS



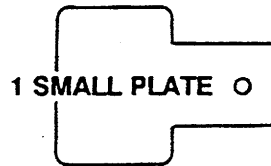
E YELLOW FRAME (2 TABS)



F (2 TABS)



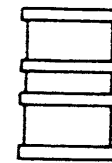
G (1 TAB)



1 SMALL PLATE



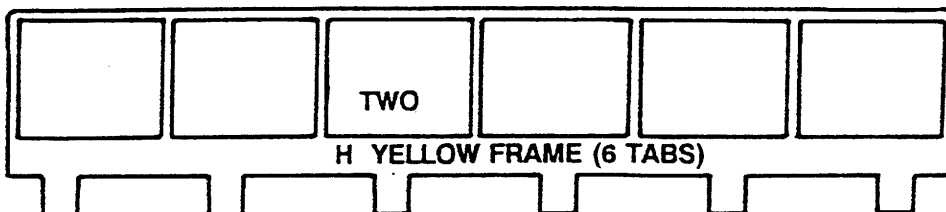
1 SMOKE FLUID



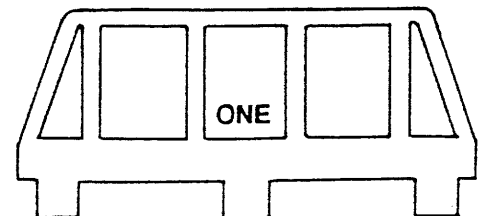
3 BARRELS



2 FIGURES

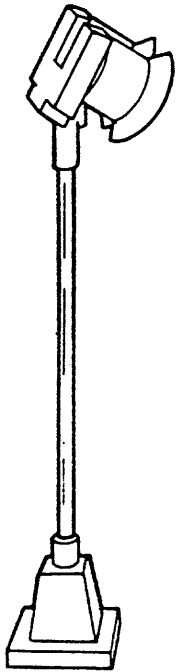


H YELLOW FRAME (6 TABS)

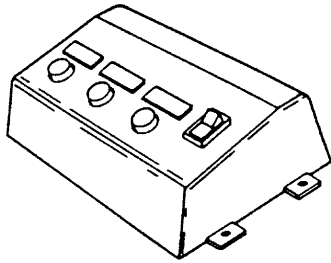


I TRAPEZOID SHAPED YELLOW FRAME (3 TABS)

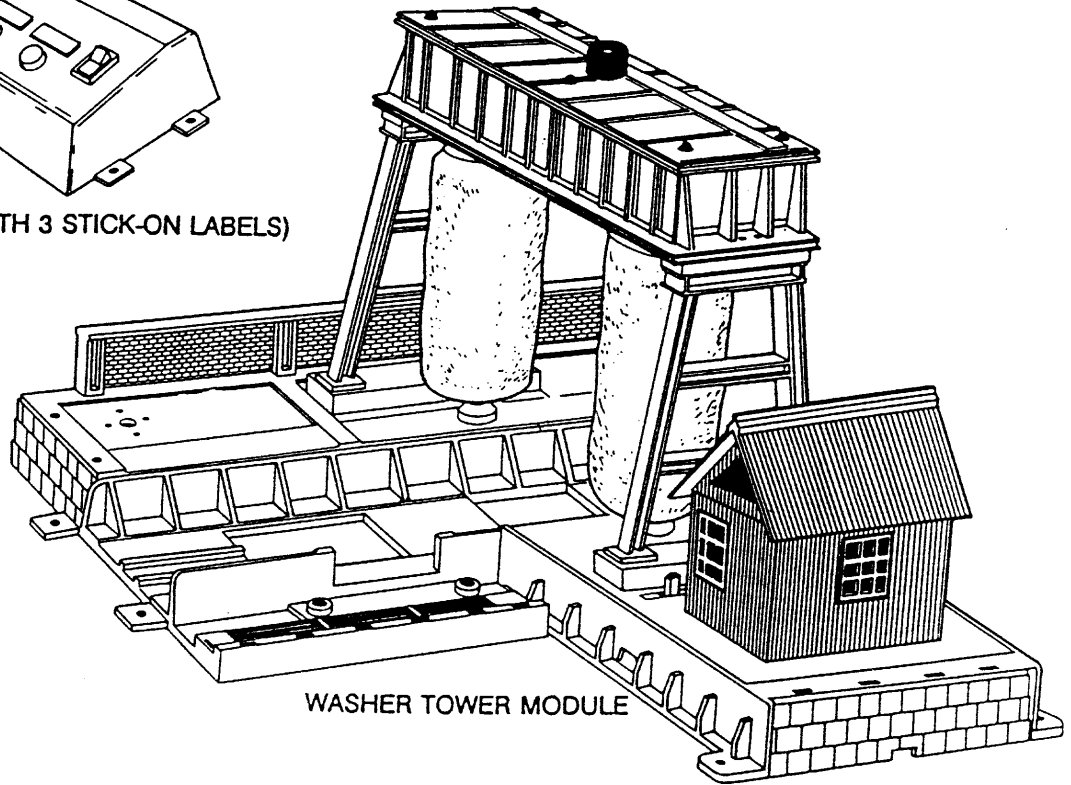
PARTS LIST



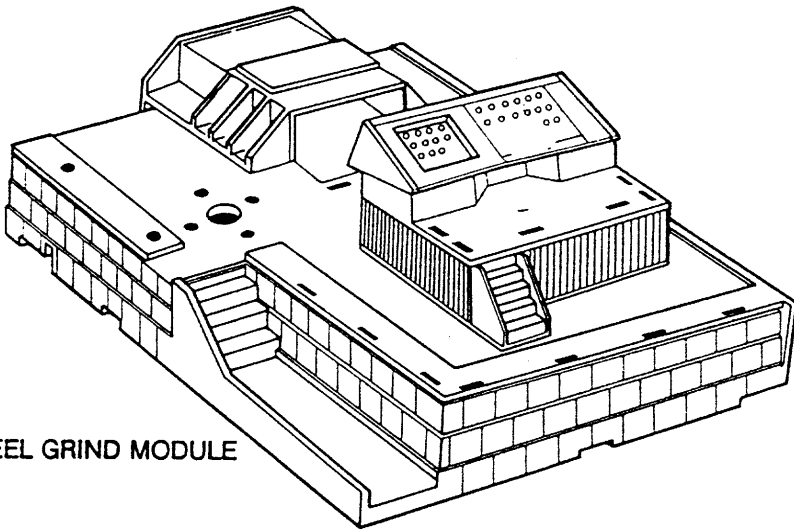
4 FLOODLIGHT TOWERS



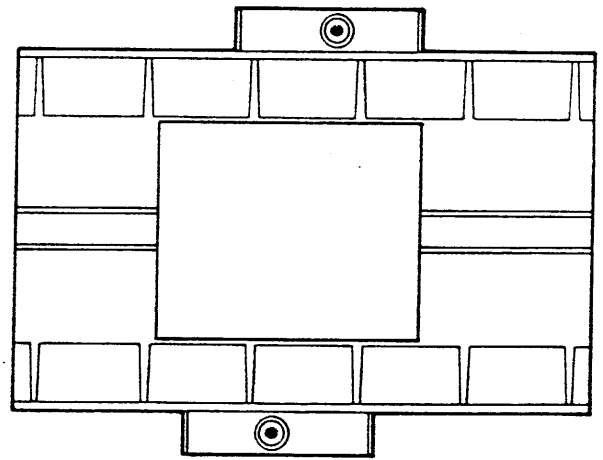
CONTROLLER (WITH 3 STICK-ON LABELS)



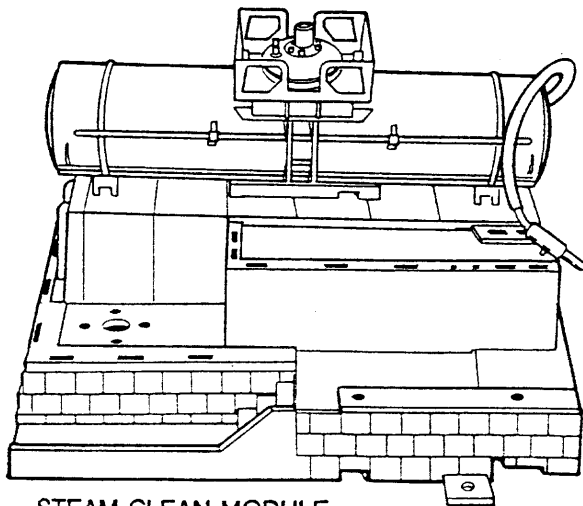
WASHER TOWER MODULE



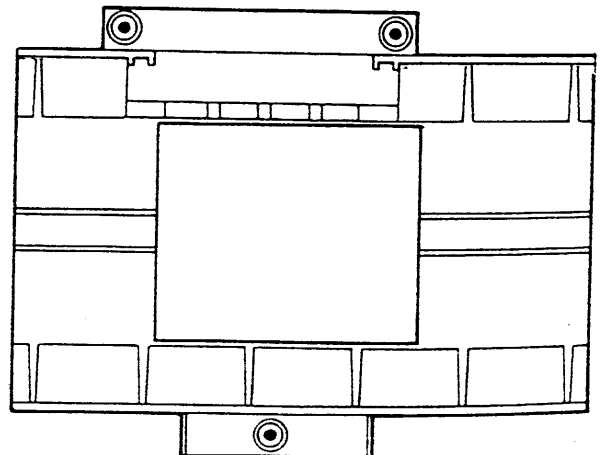
WHEEL GRIND MODULE



TRACK CRADLE (FOR STEAM CLEAN MODULE)



STEAM CLEAN MODULE



TRACK CRADLE (FOR WHEEL GRIND MODULE)

FLOOD LIGHT ASSEMBLY AND WIRING

FLOODLIGHT BULB CHANGE

To change the floodlight bulbs, remove the lamp housing and pull out the bulb. Replace it with Bulb No. 00-2313-300 available at your local Lionel Dealer or our Consumer Service department.

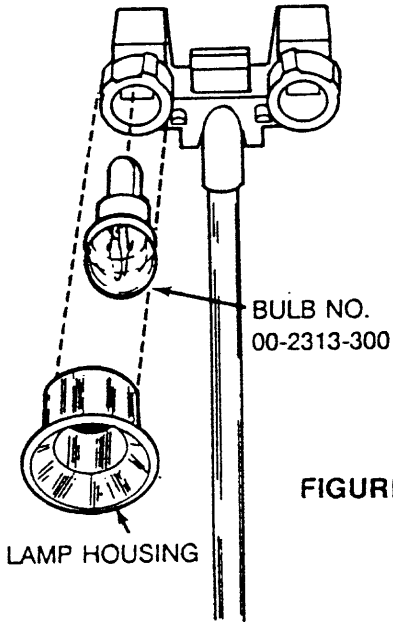


FIGURE 1

ATTACHING AND WIRING THE FLOODLIGHT TOWERS

The first accessory that should be connected to the layout is the four floodlight towers. Locate the four mounting areas and route the wires through the large middle hole. Push the two tabs on the base of the floodlight into two of the four holes on the platform (depending on the position that you wish the lamps to be facing). Turn over the module and connect the wires securely to the spring clips (See Figure 3).

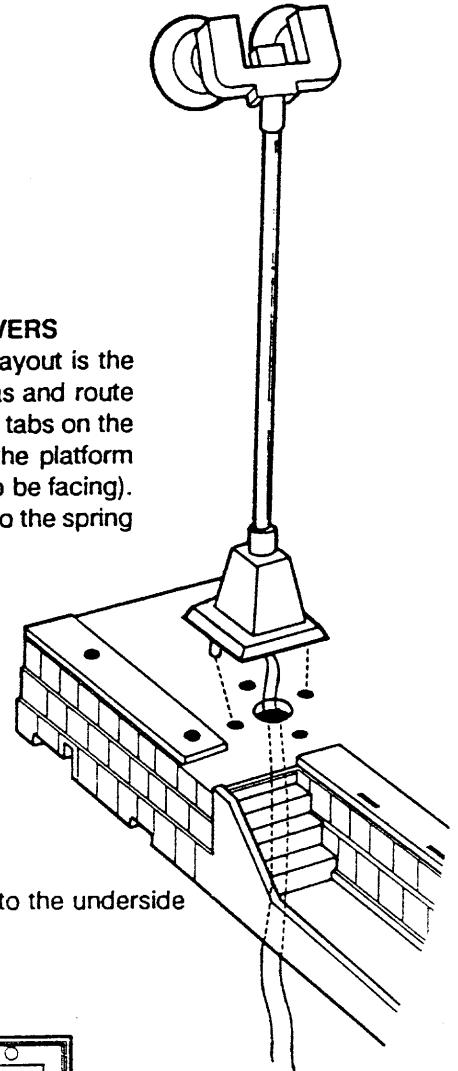


FIGURE 2

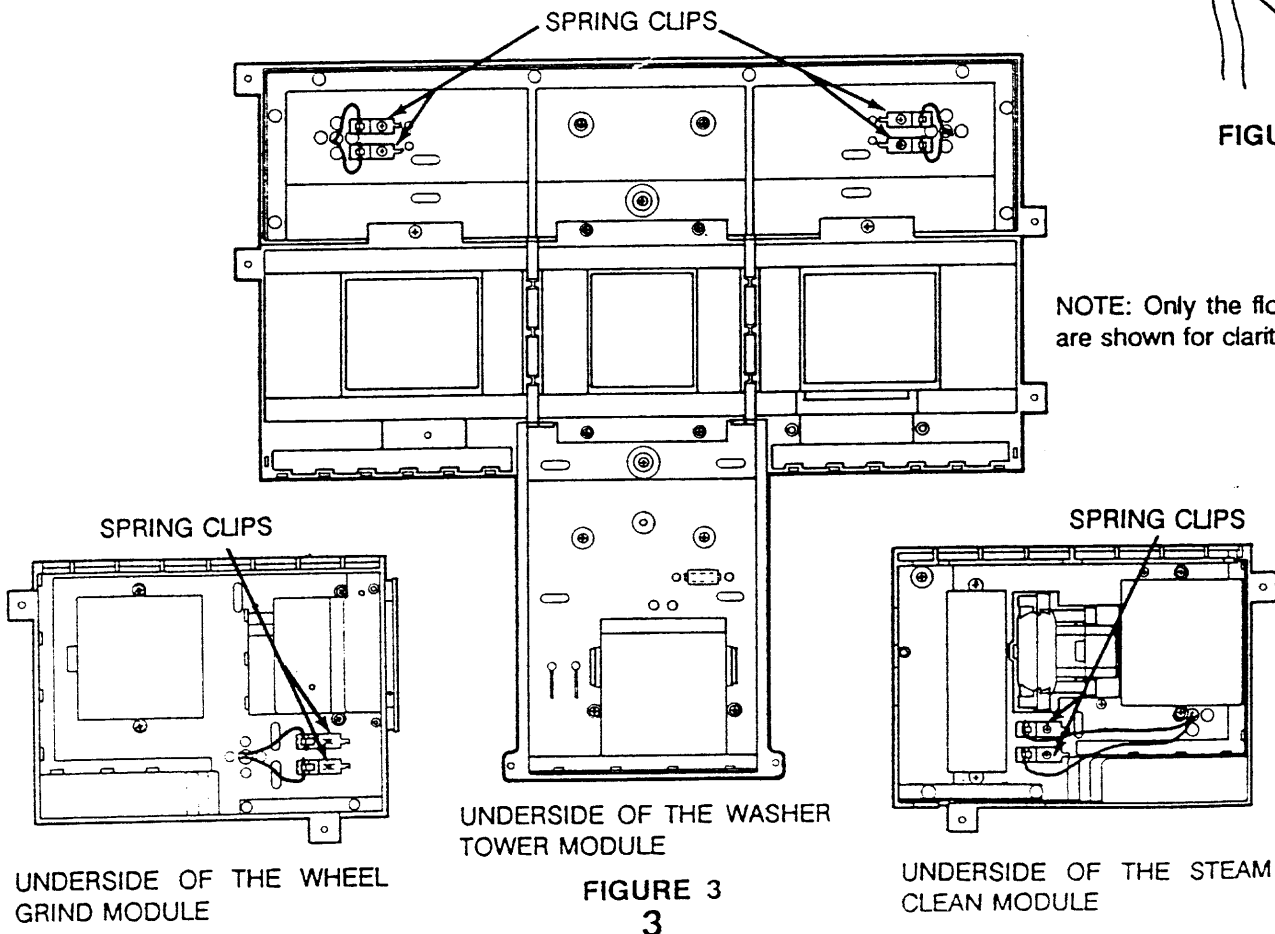


FIGURE 3

NOTE: Only the floodlight wires are shown for clarity.

TRAIN WASH MODULE

Keep your fleet factory clean with the train washing module. Rotating brushes simulate the washing process.

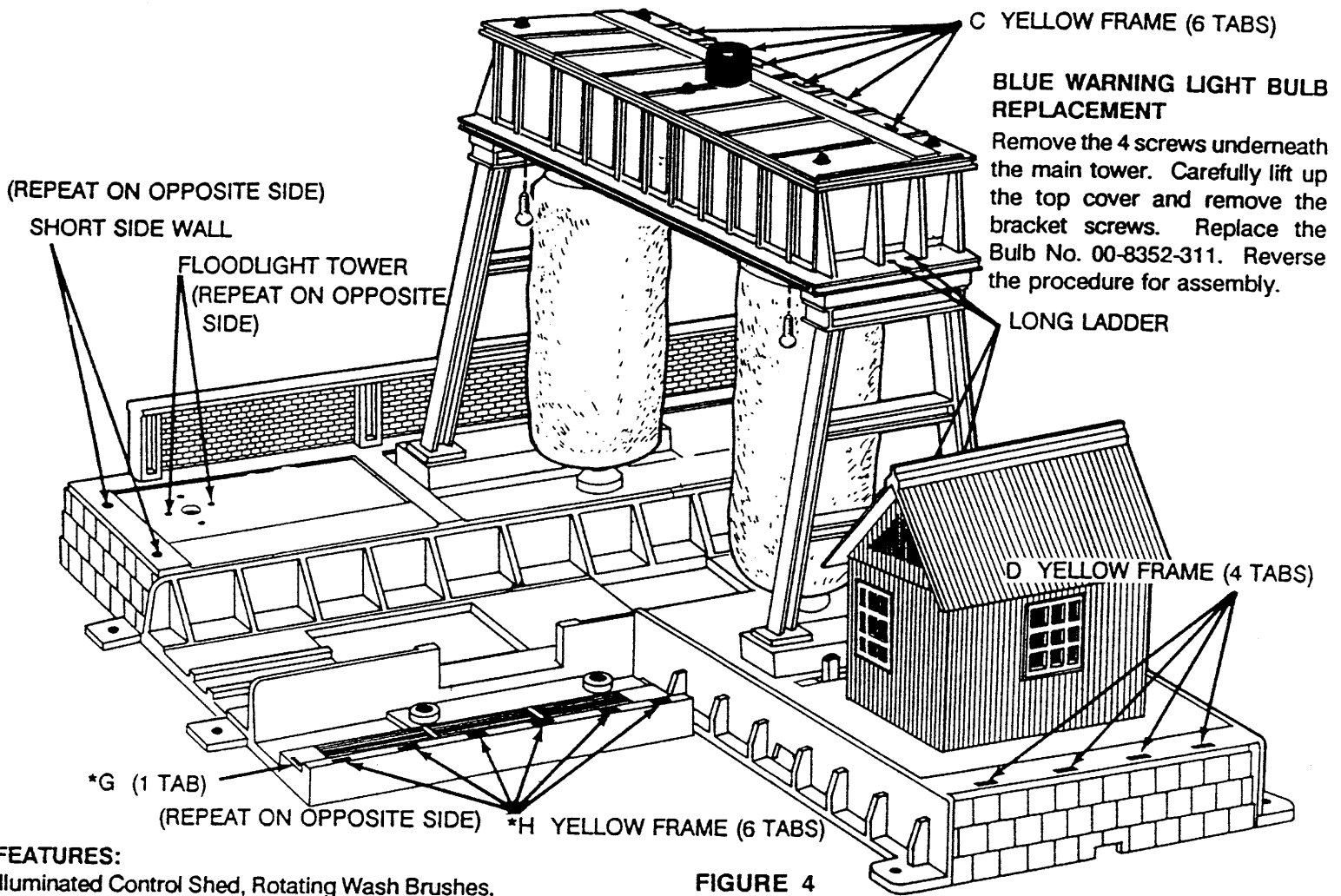
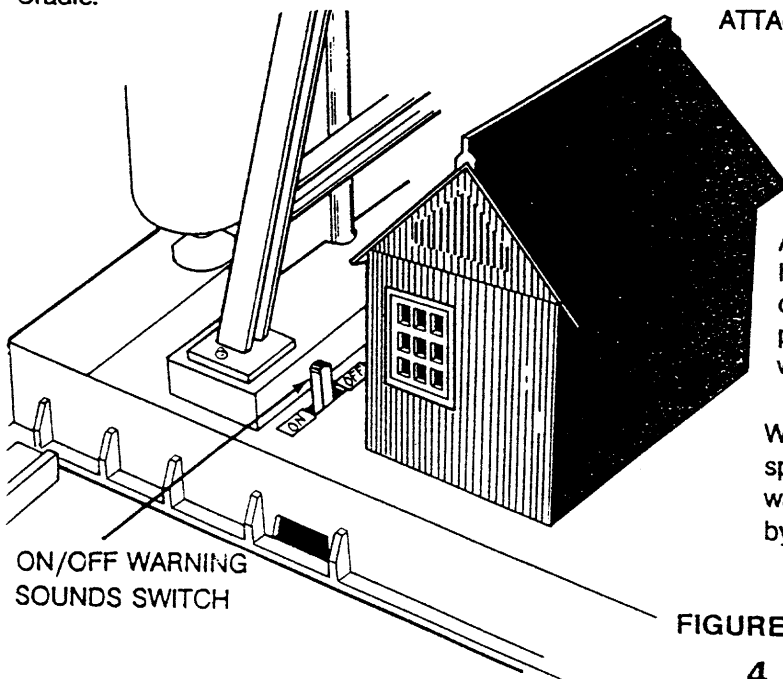


FIGURE 4

FEATURES:

Illuminated Control Shed, Rotating Wash Brushes, Flashing Strobe Lights, Flashing Warning Lights, (2) Illuminated Floodlight Towers and Track Cradle.

*YELLOW FRAMES MUST BE REMOVED IF OTHER MODULES ARE ATTACHED



After the floodlights, walls, yellow frames, and track are attached, hook up the wiring plug to the controller (See Page 10 for complete wiring instructions). Switch the power to the "ON" position and the floodlights, shed interior, and red tower strobes will come on.

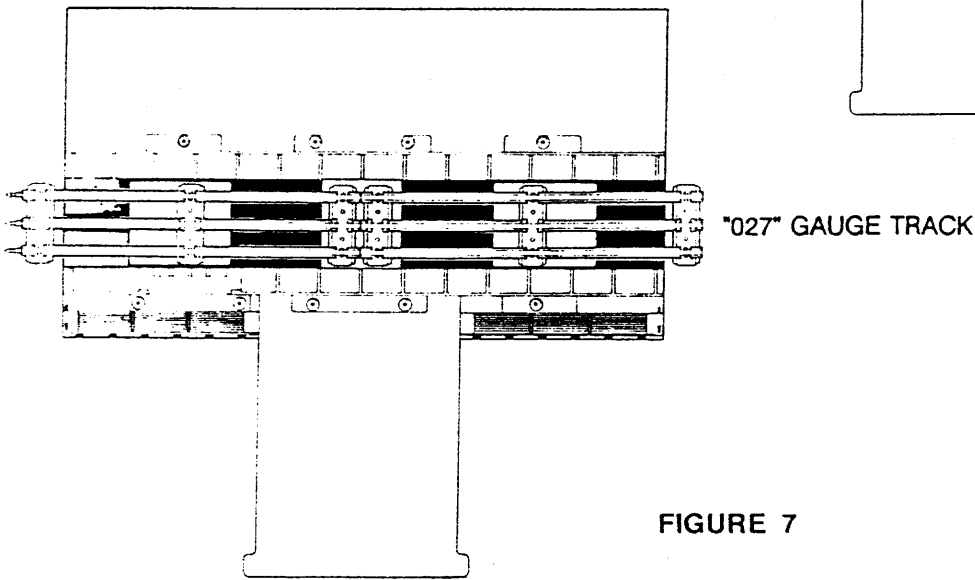
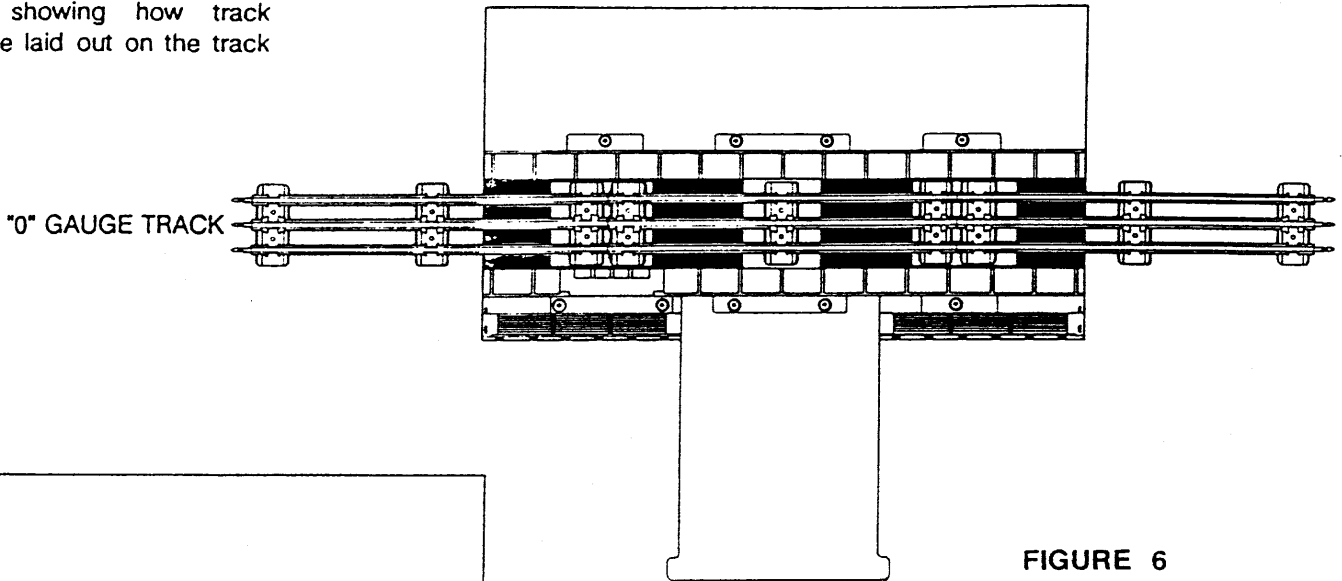
When the train wash control button is pressed, the rollers start to spin around, the blue warning light on the tower lights up and a warning sound is activated. The warning sound can be turned off by the switch located next to the control shed (See Figure 5).

FIGURE 5

NOTE: Do not tape down the control button on the controller as it may damage the unit.

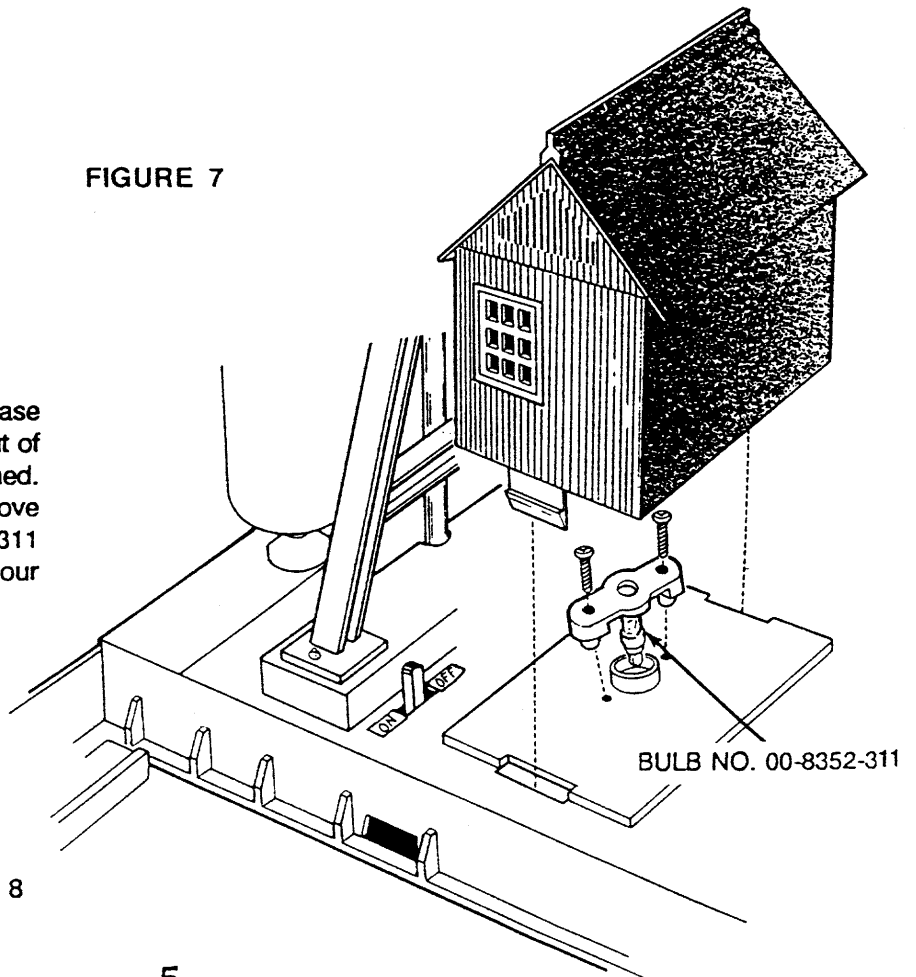
TRAIN WASH MODULE

Overhead view of the train wash module showing how track should be laid out on the track cradle.



ILLUMINATED CONTROL SHED BULB CHANGE

To remove the control shed, reach under the base and push the two tabs on the control shed out of the slots while carefully pulling up on the shed. Unscrew the bracket holding the bulb and remove the bulb. Replace it with Bulb No. 00-8352-311 available at your local Lionel Dealer or our Consumers Service Department.

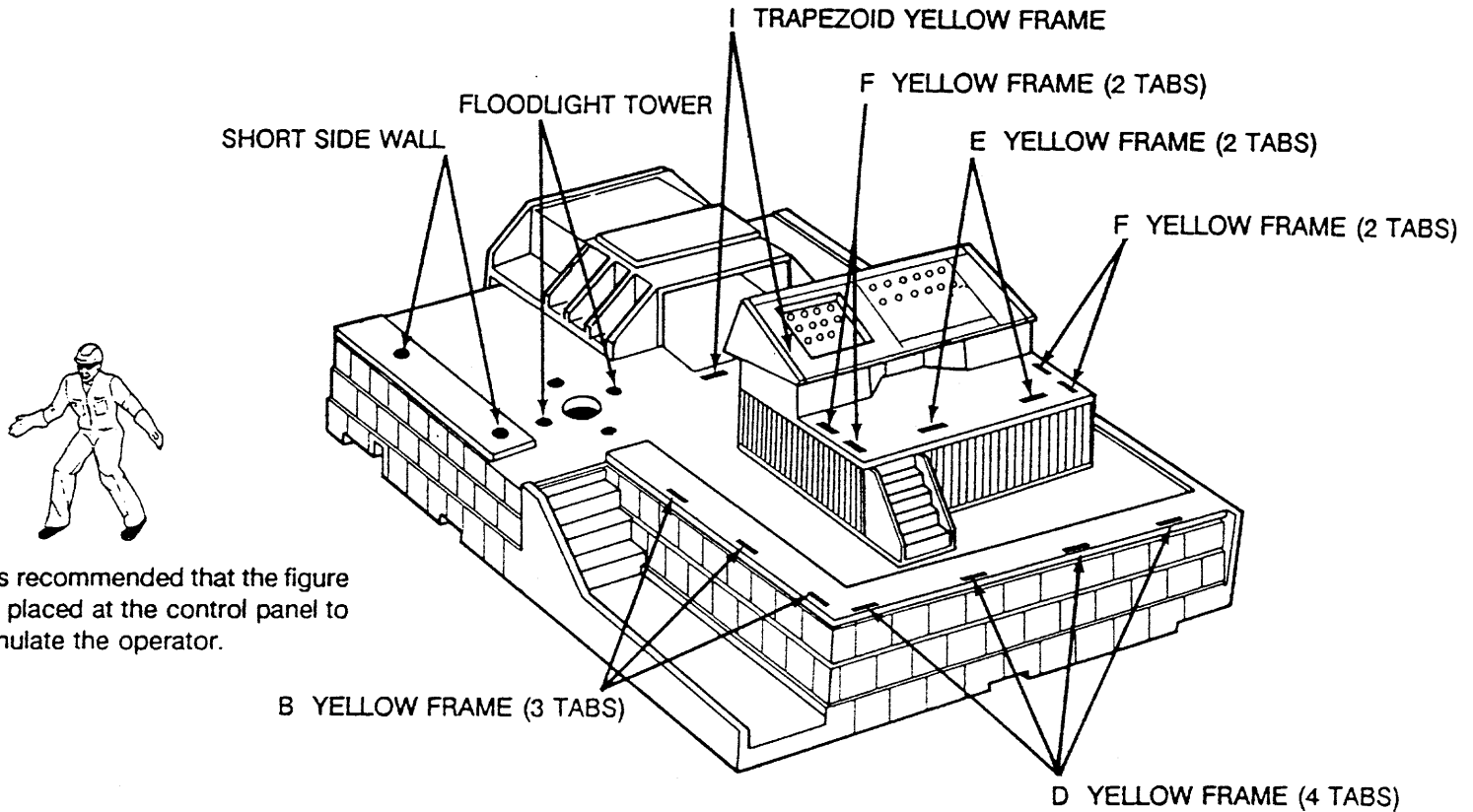


WHEEL GRIND MODULE

Simulate the wheel rounding process that removes flat spots caused by excessive braking or slippage.

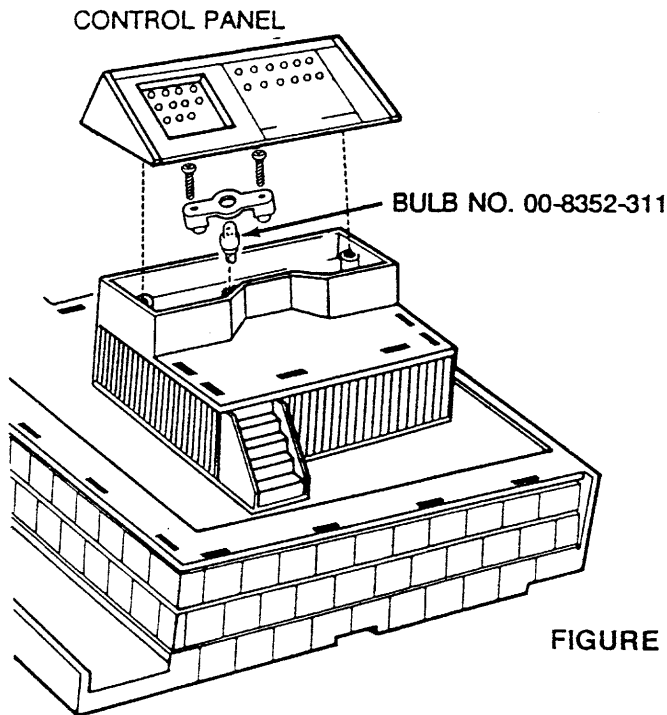
FEATURES:

Illuminated Floodlight Tower, Simulated Wheel Grinder, Operator Figure and Illuminated Control Board.



It is recommended that the figure be placed at the control panel to simulate the operator.

FIGURE 9



To replace the bulb, first pull off the control panel and remove the two screws on the bulb bracket. Pull off the bracket and remove the bulb. Replace it with Bulb No. 00-8352-311 available at your local Lionel Dealer or our Consumer Service Department. Reverse procedure to assemble.

FIGURE 10

WHEEL GRIND MODULE

NOTE: Cover must be closed before you can operate the module.

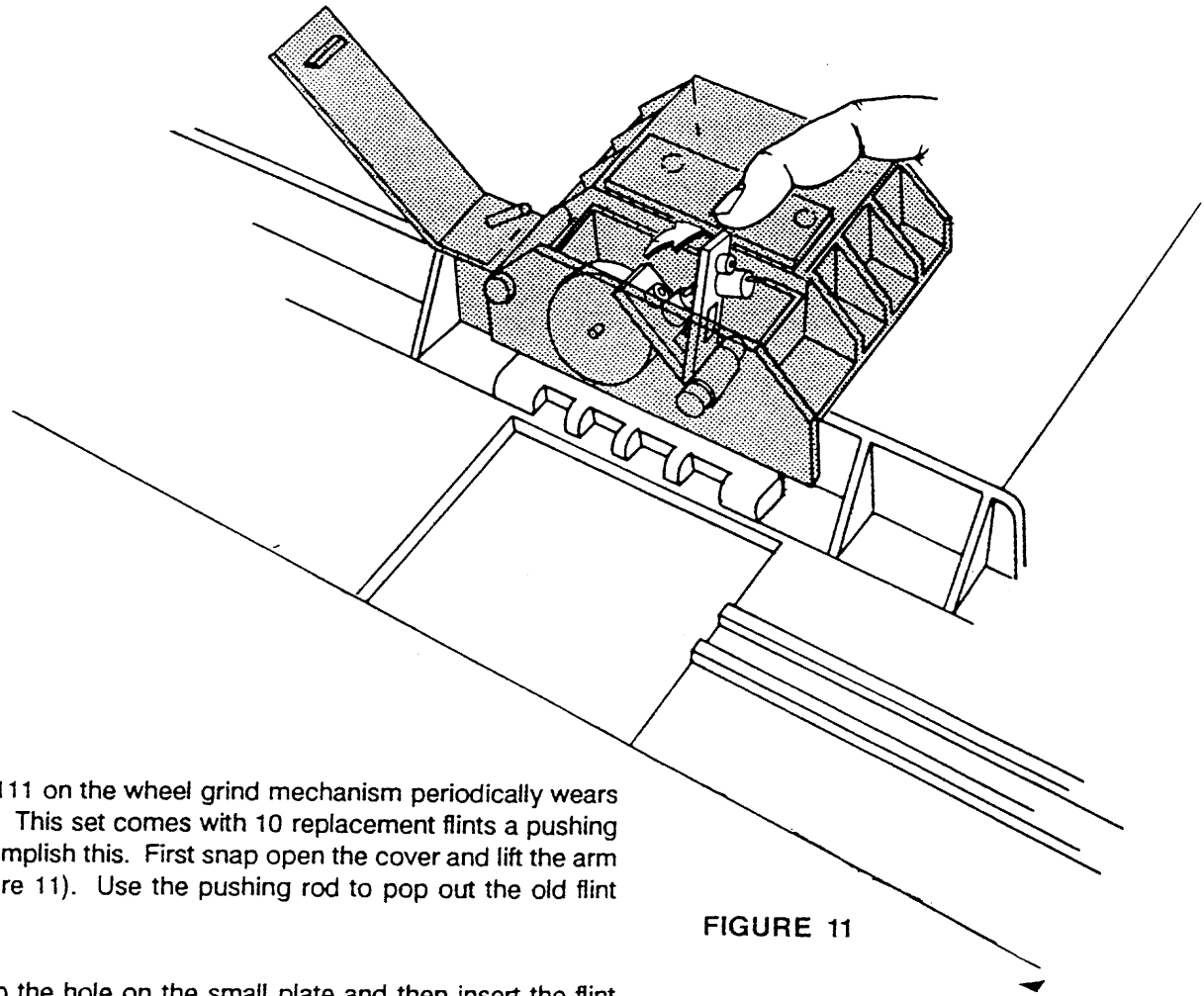


FIGURE 11

FLINT REPLACEMENT

The flint Part No. 6-10-2767-111 on the wheel grind mechanism periodically wears down and must be replaced. This set comes with 10 replacement flints a pushing rod and a small plate to accomplish this. First snap open the cover and lift the arm that holds the flint (See Figure 11). Use the pushing rod to pop out the old flint (See Figure 12).

Insert a replacement flint into the hole on the small plate and then insert the flint into the flint holding arm (See Figure 12). Remove plate, carefully lower the arm to the Wheel Grind mechanism and close the cover.

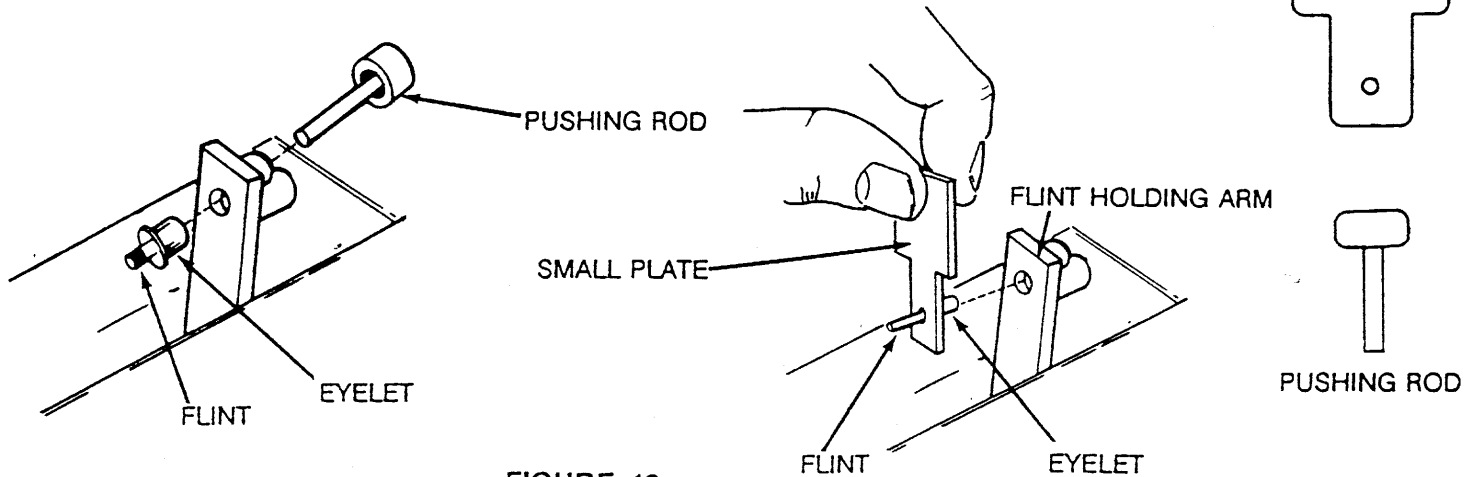


FIGURE 12

CLEANING THE MECHANISM

Flint dust accumulates as the flint is worn down and it is occasionally necessary to clean out the mechanism. For best results use a small paint brush to whisk out the dust and use a small vacuum cleaner.

STEAM CLEAN MODULE

Prepare your engine for inspection and service at the steam clean module. Steam jet simulates the cleaning process that removes road dirt from truck and undercarriage.

FEATURES:

Moveable Steam Hose, Operating Steam Jet,
Smoke Fluid and Illuminated Floodlight Tower.

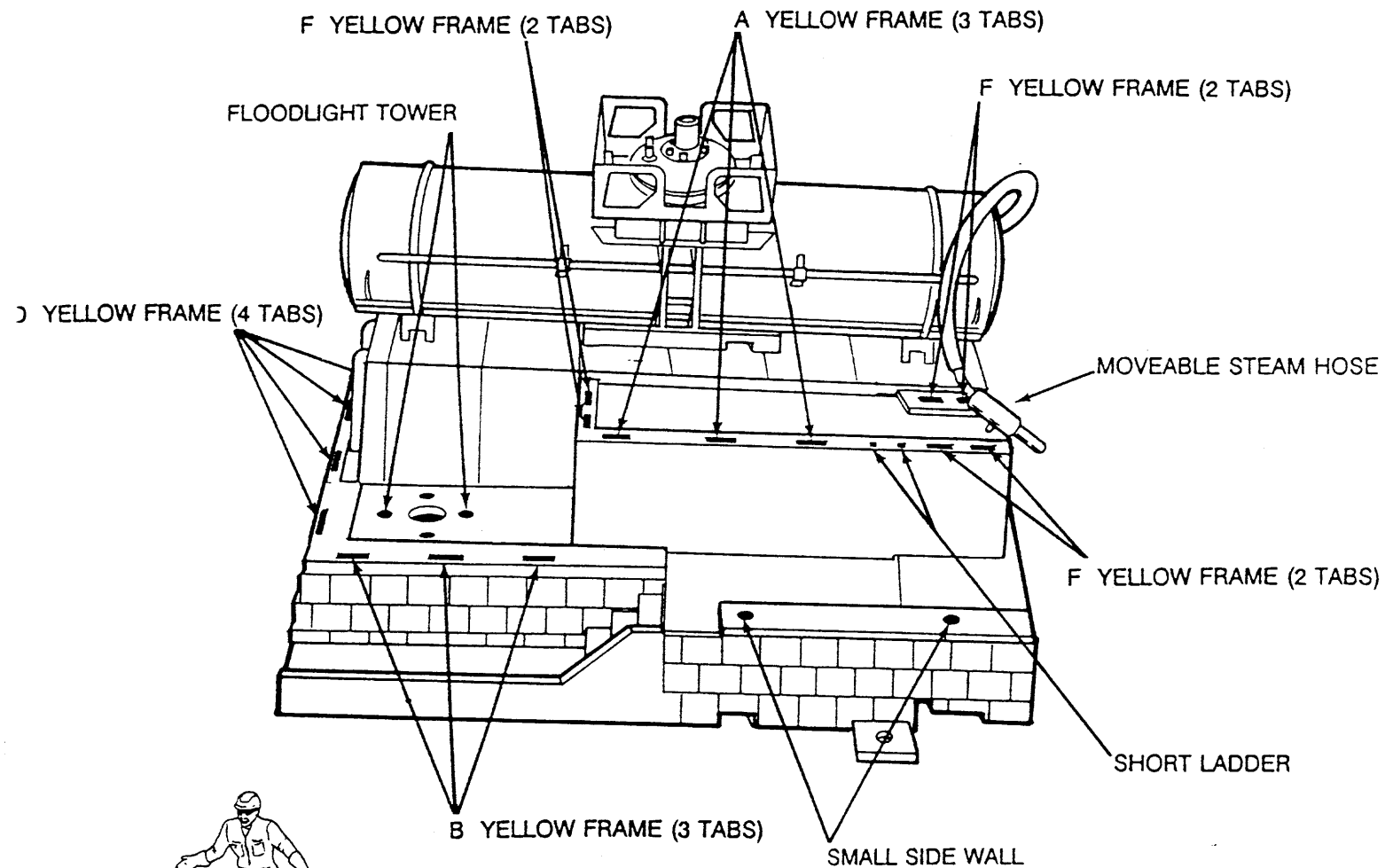


FIGURE 13

It is recommended that the figure be placed next to the steam hose to simulate the steam hose operator.

SMOKE GENERATOR

When adding smoke fluid to the steam clean module, first remove the cap on the top of the steam cleaning tank. Add 8 to 10 drops of smoke fluid into the opening. Steam/smoke, is produced after the button on the controller has been pressed for about 5 to 10 seconds (See Page 10 for wiring the module to the controller).

CAUTION: Do not shoot steam/smoke at your engine for an extended period of time, otherwise the surface of your engine may become shiny due to smoke fluid residue. This will not damage the paint or markings on the engine and can be removed with a clean cloth.

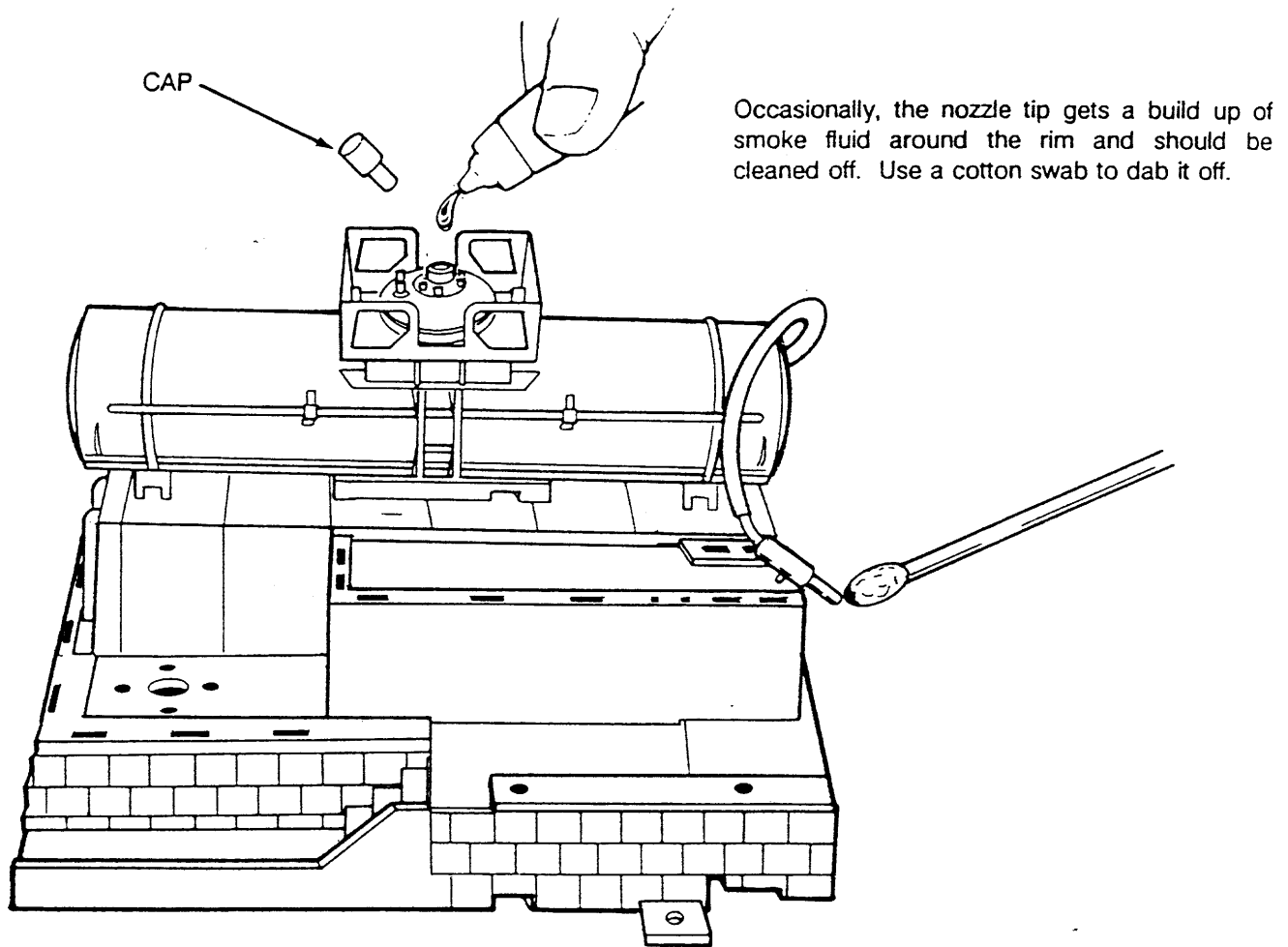


FIGURE 14

CONNECTING THE WIRING PLUG FROM THE MODULES TO THE CONTROLLER

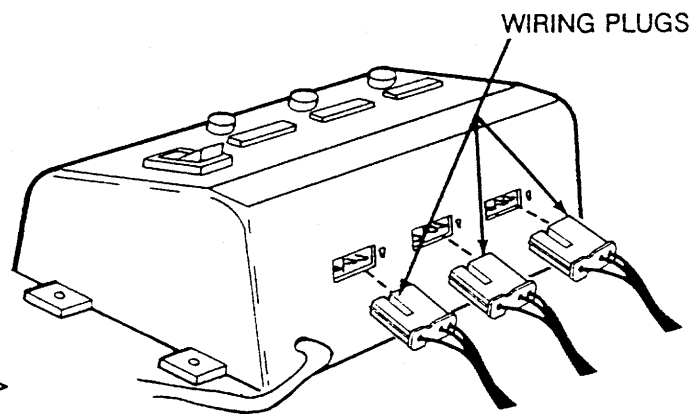
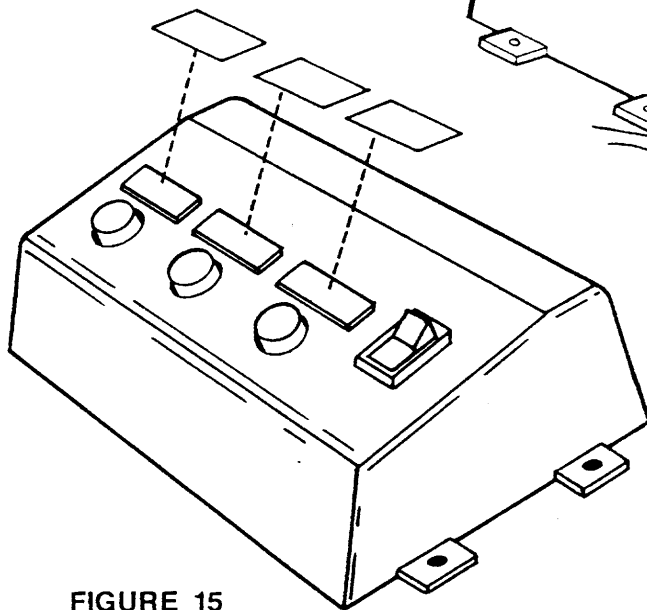
OPERATING VOLTAGE IS 12 TO 14 VOLTS A.C.

The controller operates the functions of all three modules. Each module has a wiring plug which must be inserted into the back of the controller. The order in which the plugs are inserted is optional.

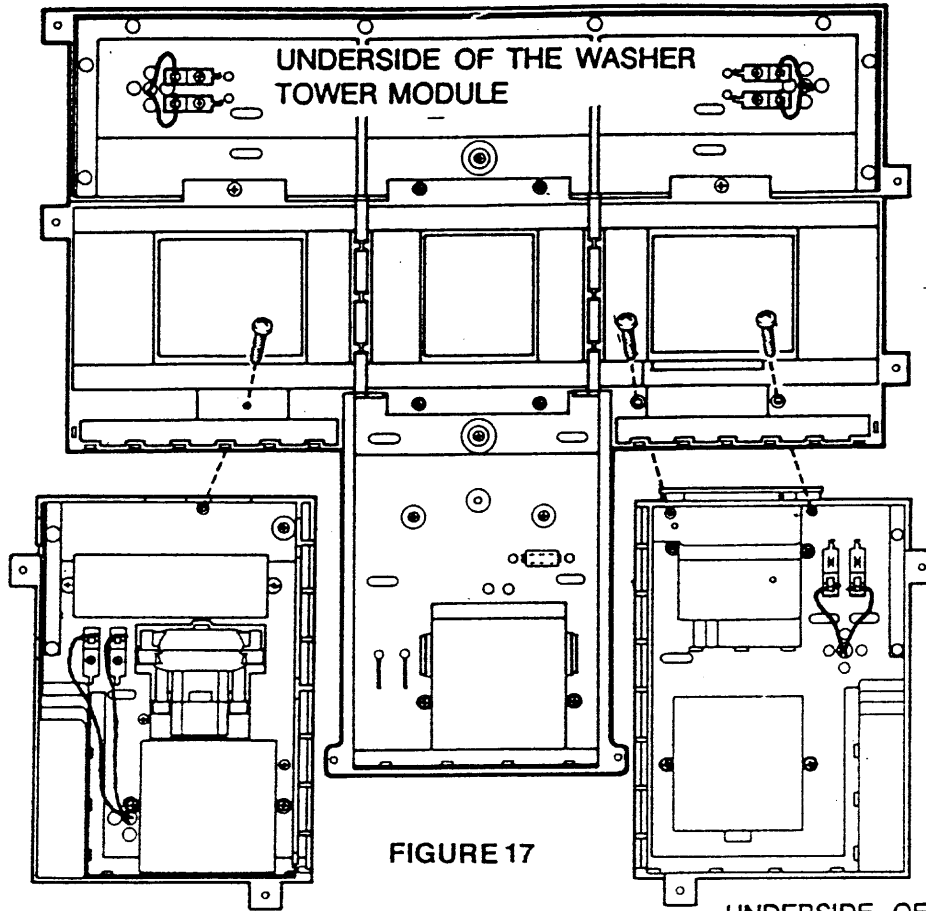
There are three adhesive labels supplied with this set, Steam Clean, Wheel Grind and Train Wash. These labels should be applied above the button that the wiring plug is inserted into. Once the labels are applied, they should not be removed.

CAUTION: Do not tape down any of these buttons as it may damage the controller.

STEAM CLEAN
WHEEL GRIND
TRAIN WASH



GROUPING THE MODULES INTO A SINGLE UNIT



NOTE: Please connect the modules together carefully. Otherwise the modules may be damaged.

FIGURE 17

UNDERSIDE OF THE STEAM CLEAN MODULE

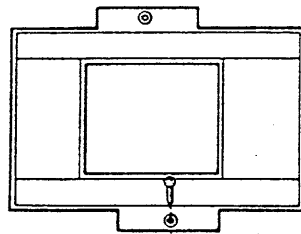
UNDERSIDE OF THE WHEEL GRIND MODULE

The three modules can be joined together to form a single unit. The modules must be joined together in the sequence shown on Figure 17. To secure the three modules together use the 3 self tapping screws supplied with this set.

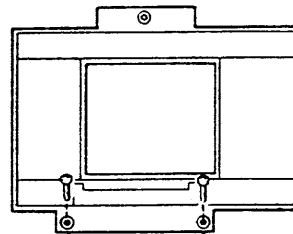
MODULE AND TRACK CRADLE ATTACHMENT

When using the modules separately, attach the track cradle to the Steam Cleaning and Wheel Grinding module. NOTE: When setting up for individual operation, use the track cradle that is specifically designed for the Steam Cleaning and Wheel Grinding module (See Figure 18 and 19).

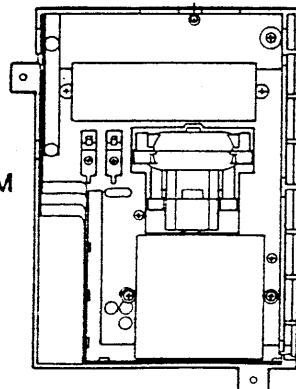
UNDERSIDE OF TRACK CRADLE FOR STEAM CLEAN MODULE



UNDERSIDE OF THE TRACK CRADLE FOR WHEEL GRIND MODULE



UNDERSIDE OF THE STEAM CLEAN MODULE



Do not flip over the modules completely when connecting.

UNDERSIDE OF THE WHEEL GRIND MODULE

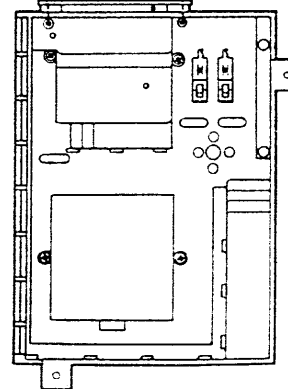


FIGURE 18

FIGURE 19

SERVICE

This product is proudly offered by Lionel Trains, Inc. and it carries a warranty to support its continued reliable operation. You may choose to have the Lionel Service Department service your item even after its warranty expires. If so, a reasonable service fee will be charged. In either event, please follow the directions below.

If service is required within the warranty period, bring the item to the nearest authorized Lionel Trains-Service Center along with the warranty card. If you prefer to send it back to the factory, you must first write to Customer Service, P.O. Box 748 New Baltimore, MI 48045-0748 stating what the item is, when it was purchased and what seems to be the problem. You will be sent a return authorization and a label to assure your merchandise will be properly handled upon receipt.

CAUTION: Make sure the item is packed so as to prevent damage to the merchandise. The shipment must be prepaid and we recommend that it be insured.

Please make sure you have followed the instructions carefully before returning any merchandise for service. This warranty gives you specific legal rights and you may have others that vary from state to state.

