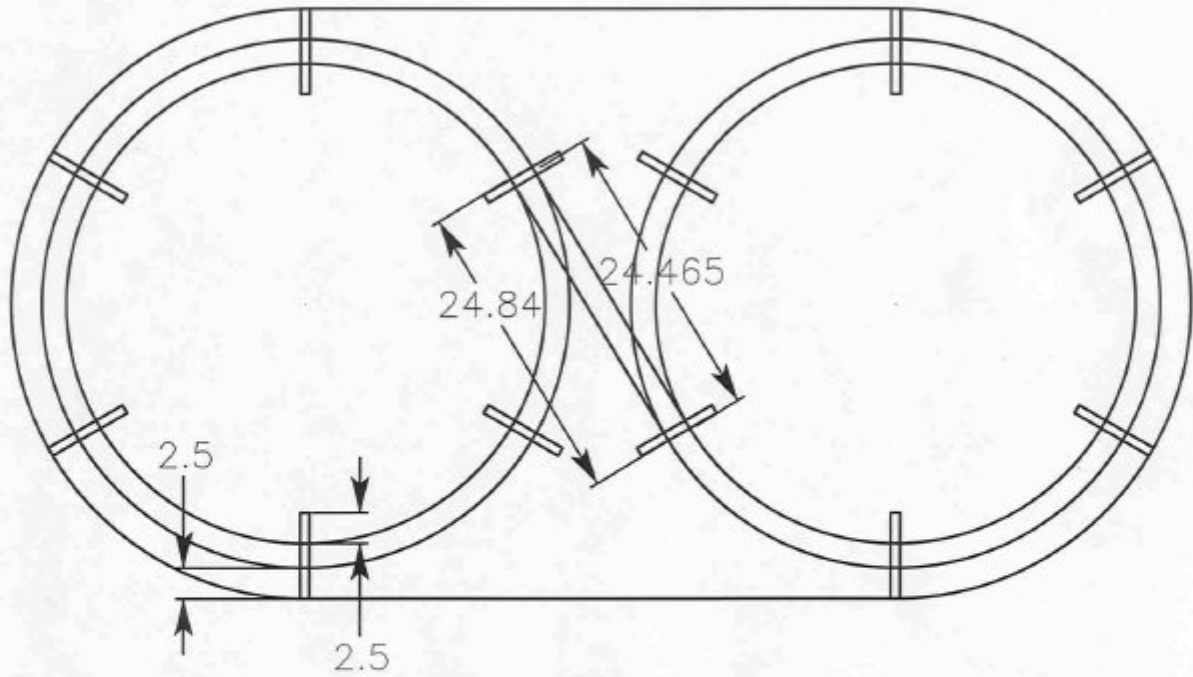
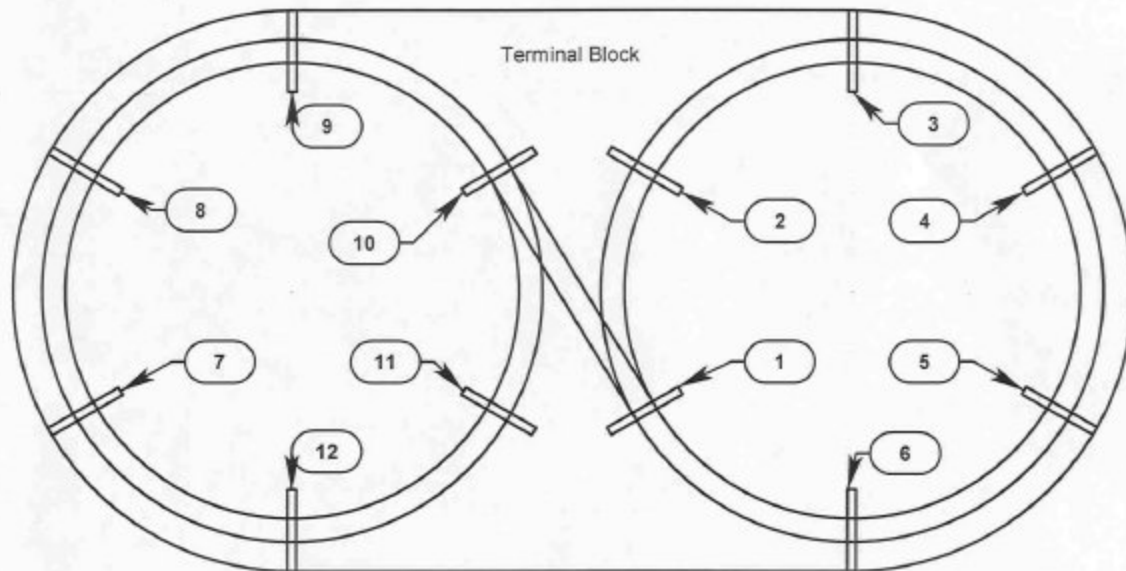


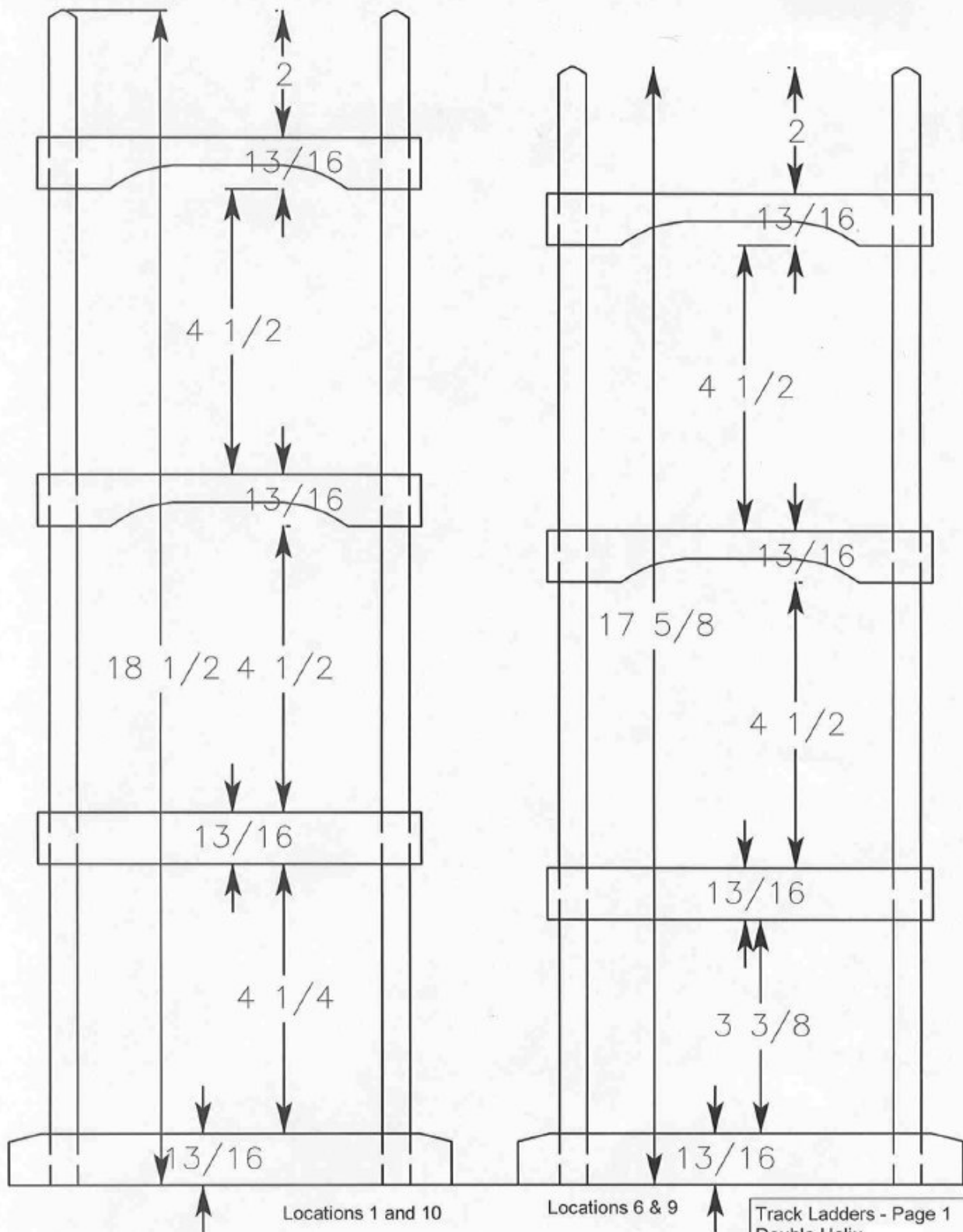
Double Helix Construction Drawings



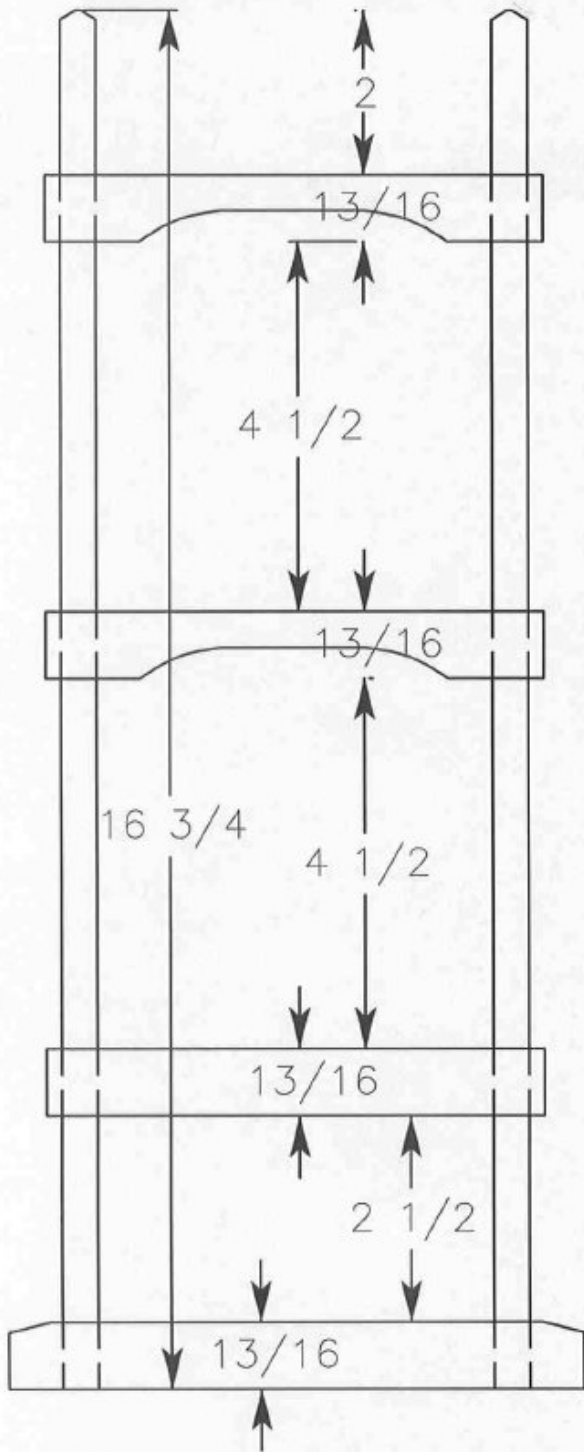
Base Top
Double Helix
Susan Deats
March 19, 2000



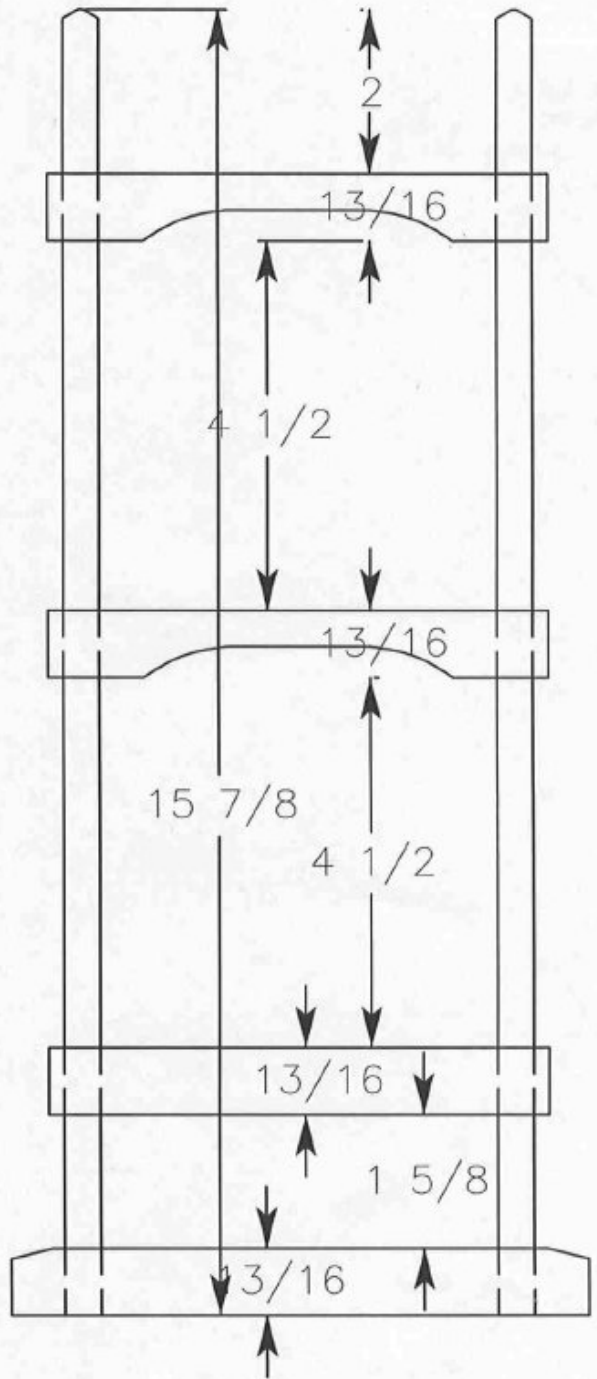
Base Top Ladder Locations
 Double Helix
 Susan Deats
 March 19, 2000



Track Ladders - Page 1
 Double Helix
 Susan Deats
 March 20, 2000



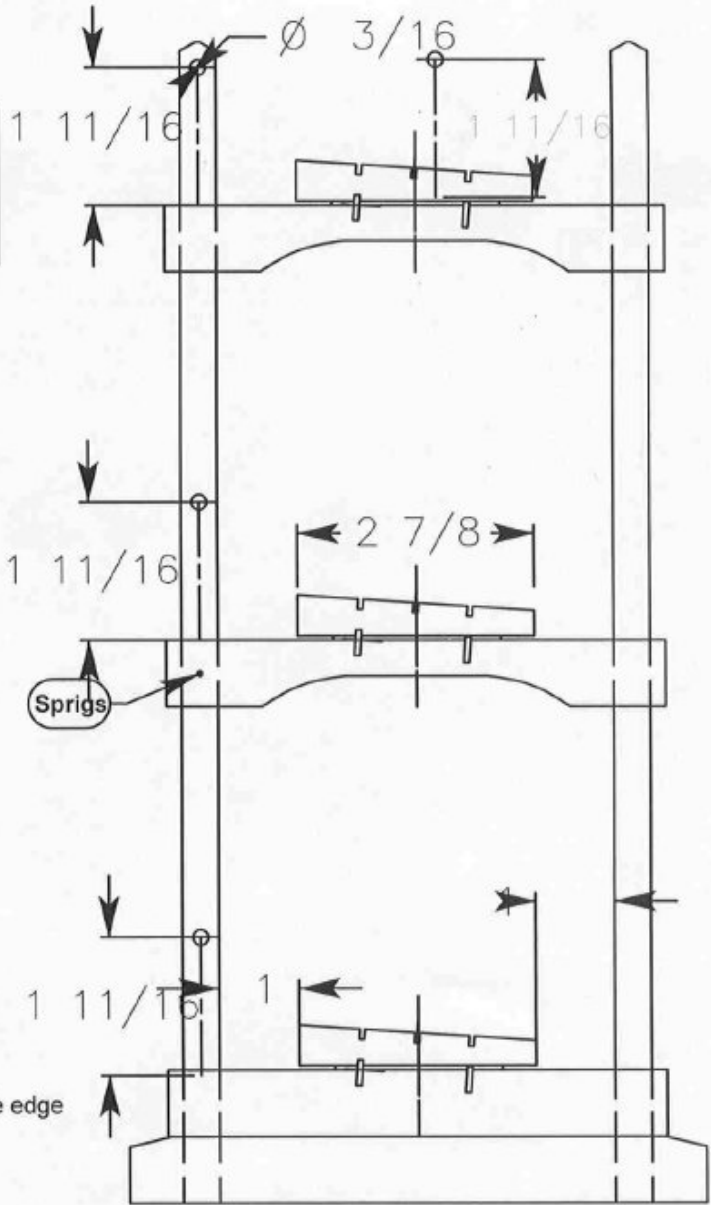
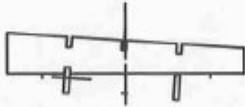
Locations 5 & 8



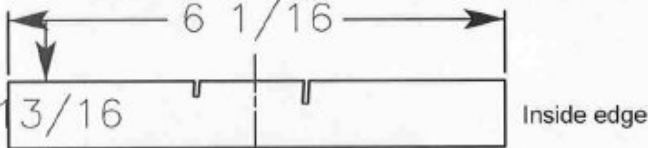
Locations 4 & 7

Track Ladders - Page 2
 Double Helix
 /
 Susan Deats
 March 20, 2000

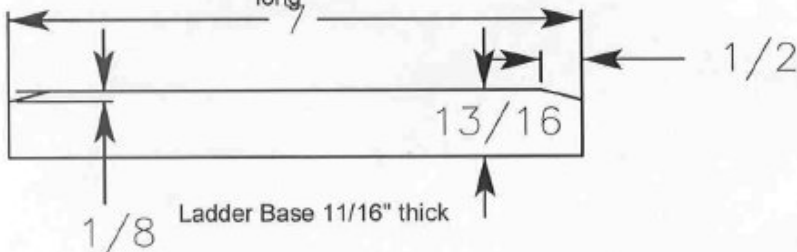
Top tracks have guardrail both sides. All others have outside guardrail only. Bottom straight+ has no guardrail. One inside loop plus one and a half outside loops takes 30' guardrail.



Upper Supports 3/4" thick x 13/16" high x 6 1/16" long

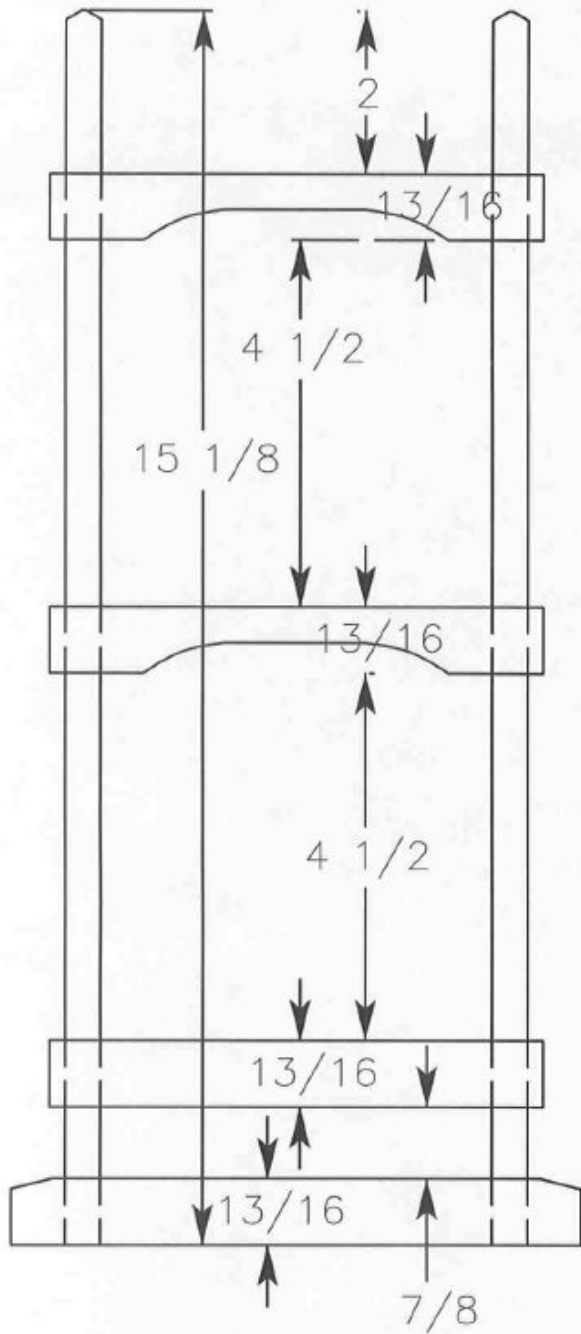


Bottom Loop Support 3/4" thick x 13/16" high x 6 1/16" long

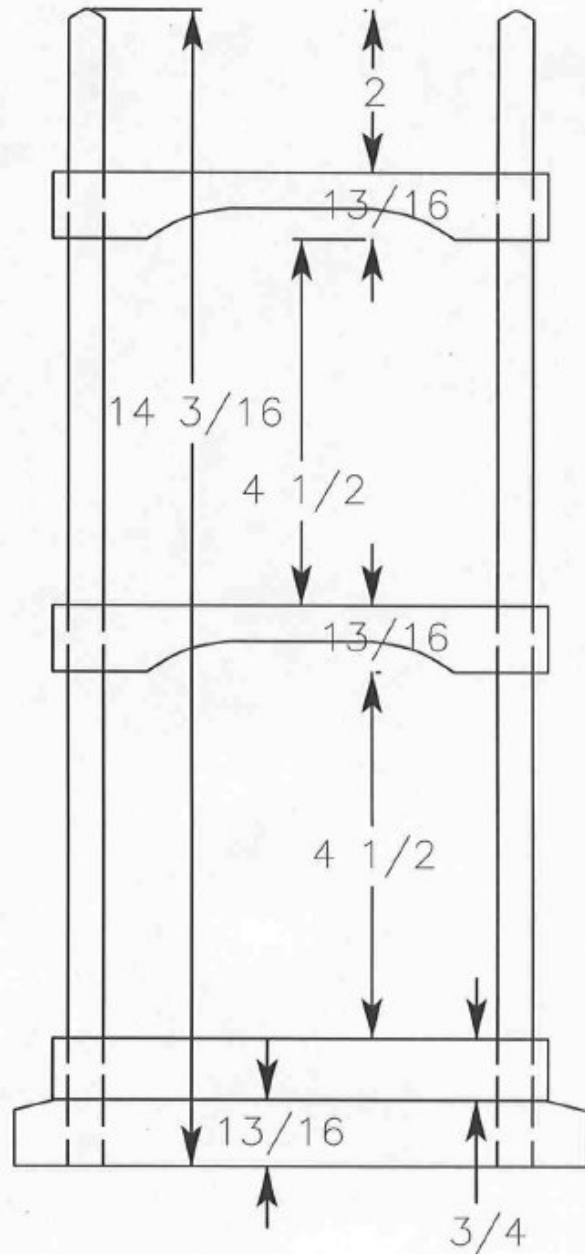


Ladder Base 11/16" thick

Rung & Dowel Detail
Track Ladders - Page 3
Double Helix
Susan Deats
March 20,2000

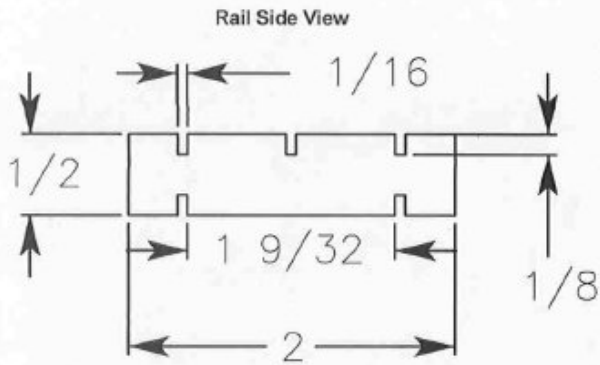


Locations 3 & 12

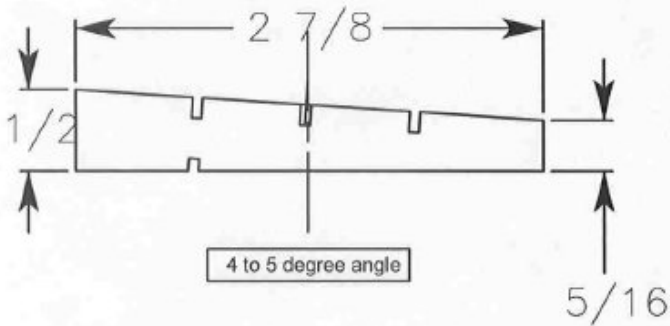
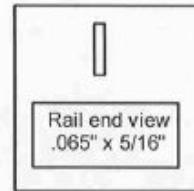
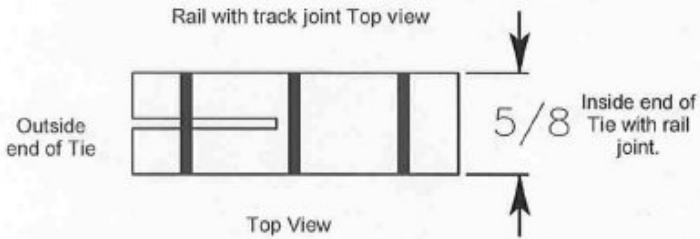


Locations 2 & 11

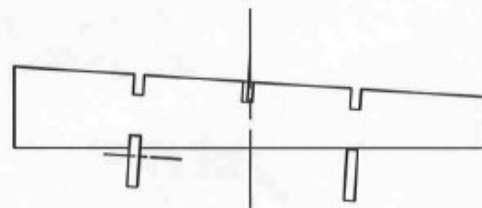
Track Ladders - Page 4
 Double Helix (
 Susan Deats
 March 20,2000



Track Tie
 Use 112, including ladder ties for 1 loop.
 5/8" to 3/4" space between ties.
 Ties are 3/8" wide 1/2" deep x 2.05" long
 Ties are 5/8" wide at track joints.
 Track joints are soldered or welded.



Ties screwed to ladders for banked curves.
 3/8" thick x 2 7/8" long
 All ties stained Danish Walnut color.



Detail Parts
 Double Helix
 Susan Deats
 March 21, 2000