



70-5530-250  
11/03

# O Gauge Remote-Control Track

**C**ongratulations on your purchase of the Lionel Remote-Control Track section! Designed for use on your traditional O gauge layout, this track section features a magnetic coil and powered control rails. Use the controller (included) to uncouple and unload your rolling stock.

## Installing the Remote-Control Track section

---

Install your Remote-Control Track section as you would with any other section of O gauge track, inserting the pins into the openings in the rails on the next section.

**Hint!** If the track is difficult to connect, try inserting and withdrawing the track pin into one opening at a time before joining the entire track section. Refer to Figure 1. If the openings become too large, pinch the rail around the track pin with a pair of pliers.

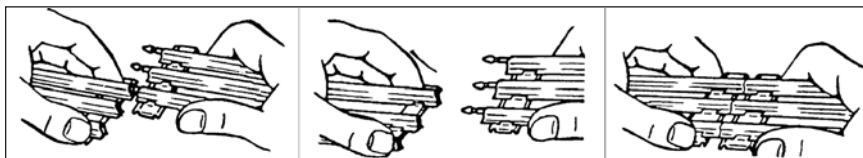


Figure 1. “Breaking in” your track

The following Lionel marks may be used throughout this instruction manual and are protected under law. All rights reserved.

*Lionel®*, *TrainMaster®*, *Odyssey®*, *RailSounds®*, *CrewTalk™*, *TowerCom™*, *DynaChuff™*, *StationSounds™*, *Pullmor®*, *ElectroCoupler™*, *Magne-Traction®*, *CAB-1 Remote Controller®*, *PowerMaster®*, *Lionel ZW®*, *ZW®*, *PowerHouse®*, *TMCC®*, *Lionelville™*, *Lockon®*

Next, connect the controller. As illustrated in Figure 2, the “tracer” wire should be connected to the right-hand terminal. In this configuration, the Remote-Control Track section is powered through track voltage. Be sure that the track is powered up before you attempt to operate the Remote-Control Track section.

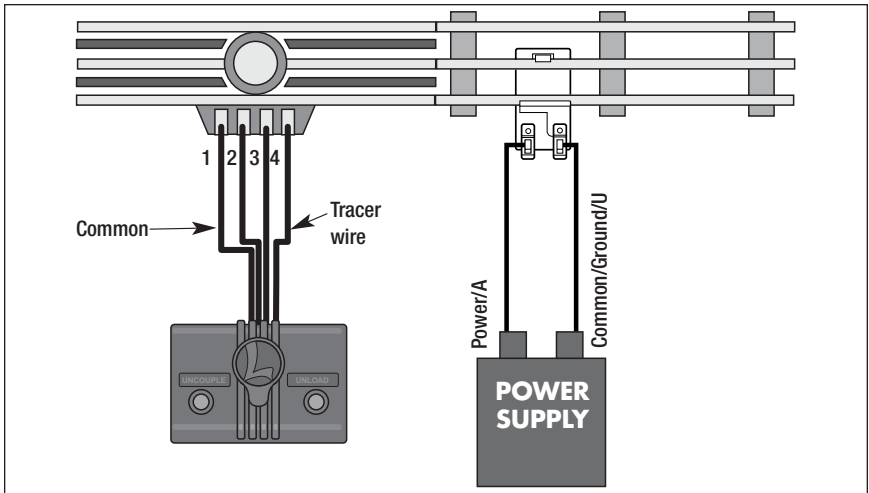


Figure 2. Remote-Control Track section installation

You may choose to install the Remote-Control Track section with a separate power supply. This would allow you to operate the Remote-Control Track section even when the track is powered down. Connect the track section and your power supply as illustrated in Figure 3.

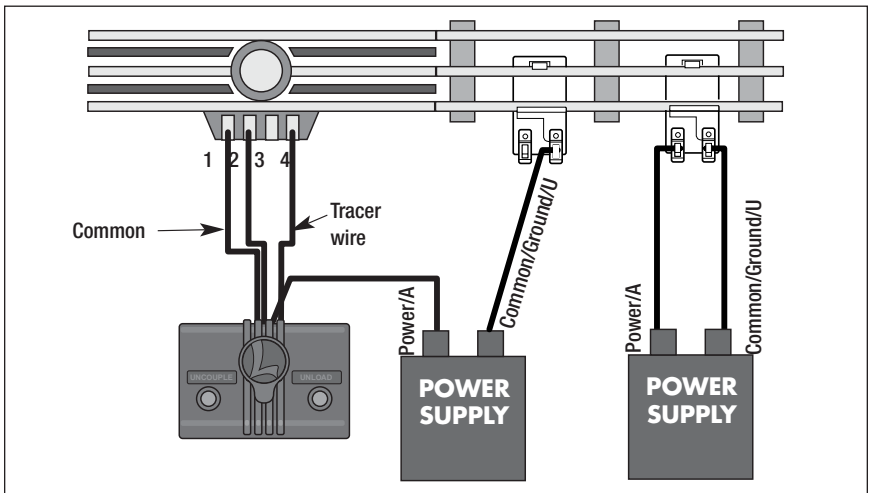


Figure 3. Remote-Control Track section installation

## Operating the Remote-Control Track section

To uncouple or activate your rolling stock, position the trigger disc over the magnet in the center of the track. Press UNCOUPLE on the controller, and the magnet will pull the trigger disc downward, releasing the coupler or activating the car. Refer to Figure 4.

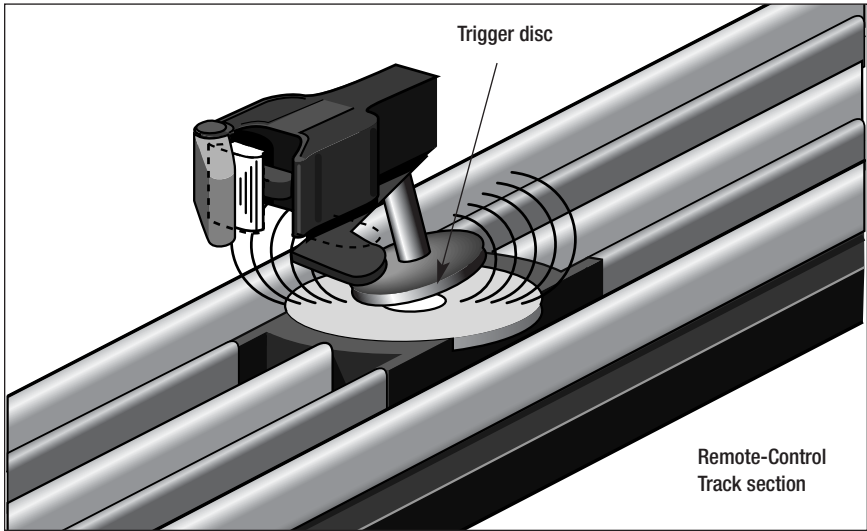


Figure 4. Uncoupling your rolling stock

Some cars feature trucks with sliding contact shoes. As illustrated in Figure 5, position the car on the Remote-Control Track section so that the contact shoes are positioned on the control rails. Press UNLOAD on the controller to activate the car.

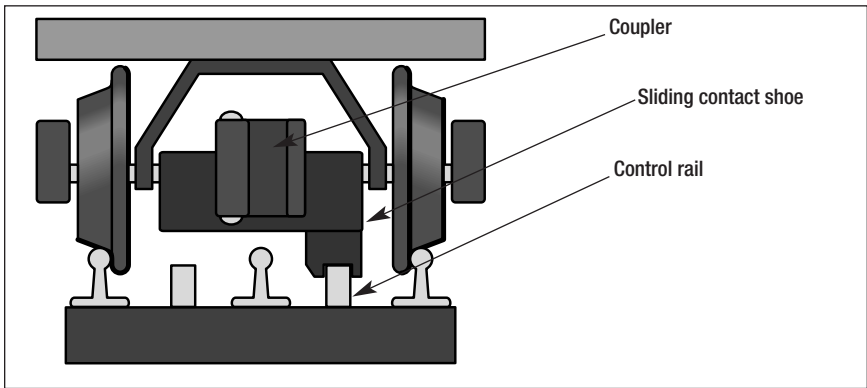


Figure 5. Control rail operation

## Limited Warranty/Lionel Service

---

**T**his Lionel product, including all mechanical and electrical components, moving parts, motors and structural components, except for light bulbs, is warranted to the original consumer-purchaser, for **one year** against original defects in materials or workmanship when purchased through an authorized Lionel merchant.

This warranty does NOT cover normal wear and tear, light bulbs, defects appearing in the course of commercial use, or damage resulting from abuse or misuse of the product by the purchaser. Transfer of this product by the original consumer-purchaser to another person voids this warranty. Modification of this product voids this warranty.

Any warranted product which is defective in original materials or workmanship and is delivered by the original consumer-purchaser to Lionel L.L.C. or an authorized Lionel L.L.C. Service Center, together with proof of original purchase will, at the option of Lionel L.L.C., be repaired or replaced, without charge for parts or labor. In the event the defective product cannot be repaired, and a replacement is not available, a refund of the original purchase price will be granted. Any products on which warranty service is sought must be sent freight or postage prepaid, as transportation and shipping charges are not covered by the warranty.

### **In no event shall Lionel L.L.C. be liable for incidental or consequential damages.**

Some states do not allow the exclusion or limitation of incidental or consequential damages, so the above exclusion may not apply to you.

This limited warranty gives you specific legal rights, and you may have other rights which vary from state to state.

### **Instructions for Obtaining Service**

If service for this Lionel L.L.C. product is required, bring the item, along with your dated sales receipt and completed warranty information to the nearest Authorized Lionel Service Center. Your nearest Lionel Service Center can be found by calling 1-800-4-Lionel, or by accessing our Website at [www.lionel.com](http://www.lionel.com).

If you prefer to send your product back to Lionel L.L.C. for repair in Michigan, you must first call 586-949-4100 or FAX 586-949-5429, or write to Customer Service, P.O. Box 748, New Baltimore, MI 48047-0748, stating what the item is, when it was purchased and what seems to be the problem. You will be sent a return authorization letter and label to ensure your merchandise will be properly handled upon receipt.

Once you have received your return authorization and label, make sure that the item is packed to prevent damage during shipping and handling. We suggest that you use the product's original packaging. This shipment must be prepaid and we recommend that it be insured.

Please make sure you have followed all of the above instructions carefully before returning any merchandise for service. You may choose to have your product repaired by one of our Authorized Lionel Service Centers after its warranty has expired. A reasonable service fee will be charged.

### **Warranty Information**

Please complete the information below and keep it, along with your dated sales receipt. You must present this and your dated sales receipt when requesting warranty service.

Name \_\_\_\_\_

Address \_\_\_\_\_

Place of Purchase \_\_\_\_\_

Date of Purchase \_\_\_\_\_

Product Number \_\_\_\_\_

Product Description \_\_\_\_\_



©2004 LIONEL L.L.C., CHESTERFIELD, MI 48051-2495  
UNITED STATES OF AMERICA  
PRINTED IN CHINA